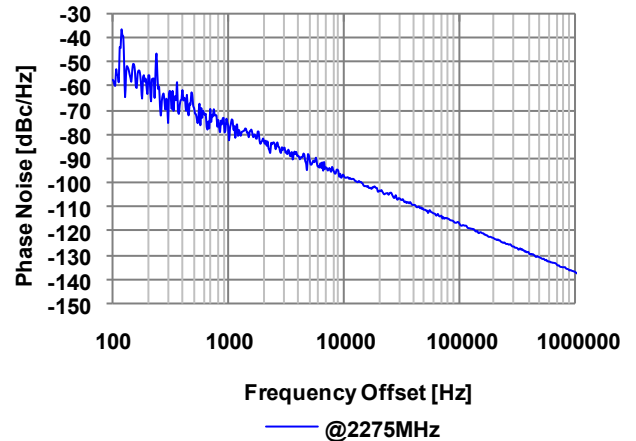


Features

- Linear tuning characteristics
- Low pushing / Low pulling
- Aqueous washable

Applications

- SATCOM
- Receiver
- Test Equipment
- Radar
- Point-to-Point
- Radio
- MMDS
- WiMax

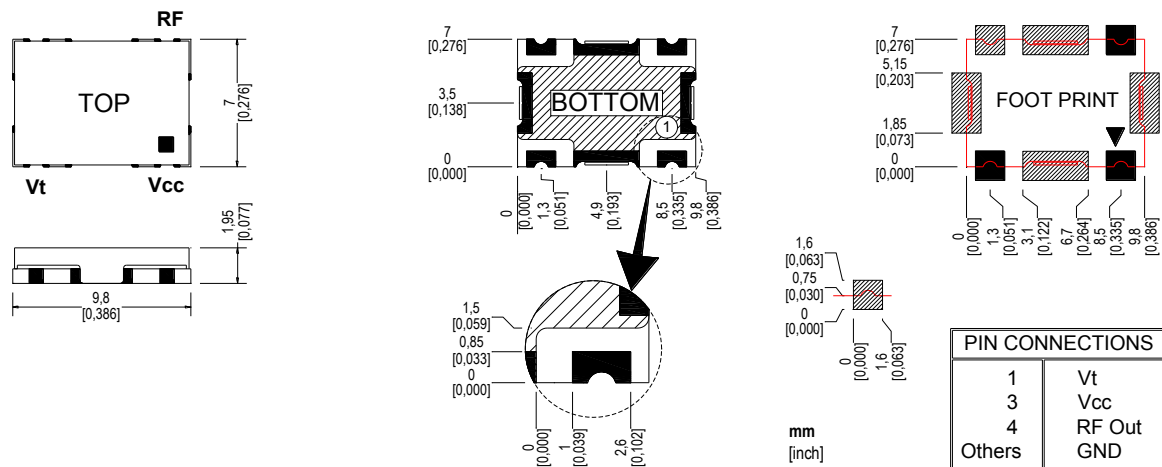


Electrical Characteristics



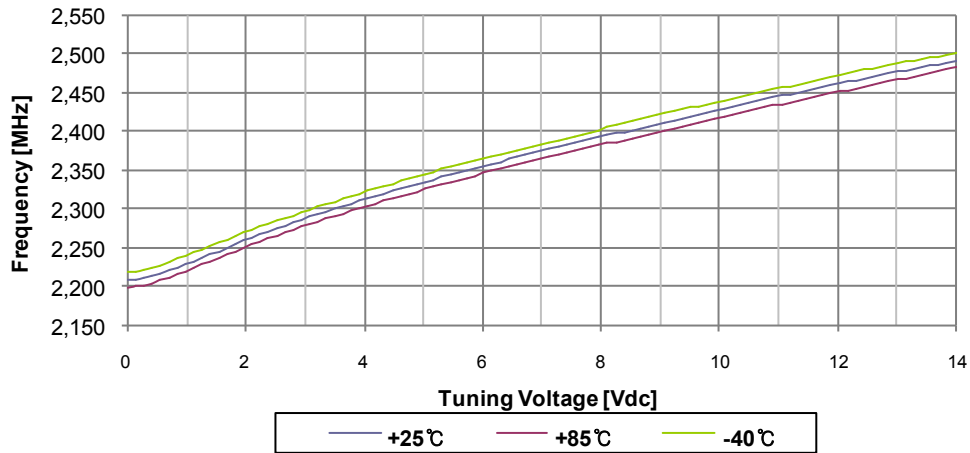
Parameter	Units	Min	Typ	Max
Operating Frequency Range	MHz	2265		2285
Output Power	dBm	-2.0	0.0	+2.0
Output Impedance	Ω		50	
Phase Noise	@10kHz offset	dBc/Hz	-97	-92
	@100kHz offset	dBc/Hz	-116	-111
Tuning Voltage (Vt)	Vdc	1.0		3.0
Tuning Voltage Sensitivity (Kv)	MHz/V		11.3 - 31.4	
2nd Harmonic Suppression	dBc		-26	-20
Power Supply (Vcc)	Voltage	Vdc	5	
	Current	mA	11	30
Pushing Figure	MHz/V		4	
Pulling Figure	MHz		1.6	
Input Capacitance	pF		33	
Operating Temp. Range	$^{\circ}\text{C}$	-40		+85

Dimensions

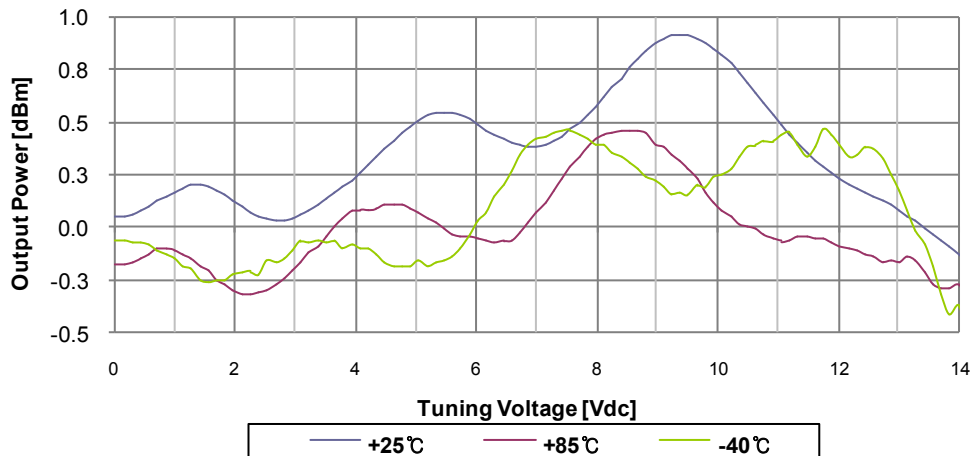


PACKAGE DRAWING : VD4-L

Tuning Curve



Output Power Curve



Performance Data

Vt [Vdc]	Frequency [MHz]			Kv [MHz/V]			Output Power [dBm]			2nd Harmonic [dBc]
	+25°C	+85°C	-40°C	+25°C	+85°C	-40°C	+25°C	+85°C	-40°C	
0.0	2208.4	2199.6	2218.9	-	-	-	0.0	-0.2	-0.1	-31.0
1.0	2228.9	2219.6	2240.0	20.4	20.0	21.1	0.2	-0.1	-0.1	-27.7
2.0	2259.1	2250.4	2269.6	30.2	30.8	29.6	0.1	-0.3	-0.2	-27.6
3.0	2290.5	2281.0	2299.5	31.4	30.7	29.9	0.1	-0.2	-0.1	-28.5
4.0	2314.2	2304.3	2323.7	23.7	23.3	24.3	0.3	0.1	-0.1	-25.2
5.0	2335.6	2326.1	2346.0	21.4	21.8	22.3	0.5	0.1	-0.2	-26.9
6.0	2356.0	2346.5	2365.8	20.5	20.4	19.8	0.5	-0.1	0.0	-25.1
7.0	2375.4	2365.1	2384.3	19.4	18.6	18.5	0.4	0.1	0.4	-24.3
8.0	2393.2	2382.6	2403.0	17.7	17.5	18.8	0.6	0.4	0.4	-24.6
9.0	2410.2	2400.0	2421.2	17.1	17.4	18.2	0.9	0.4	0.2	-21.8
10.0	2430.0	2419.9	2441.2	19.7	19.9	20.0	0.8	0.1	0.3	-24.3
11.0	2446.9	2436.5	2457.3	17.0	16.6	16.1	0.5	-0.1	0.4	-25.0
12.0	2463.0	2452.0	2473.3	16.1	15.6	16.0	0.2	-0.1	0.4	-22.5
13.0	2477.9	2467.6	2488.7	14.9	15.6	15.4	0.1	-0.2	0.2	-24.8
14.0	2491.8	2482.9	2503.1	14.0	15.3	14.4	-0.1	-0.3	-0.4	-25.3