



# EUROPEAN ANTENNAS

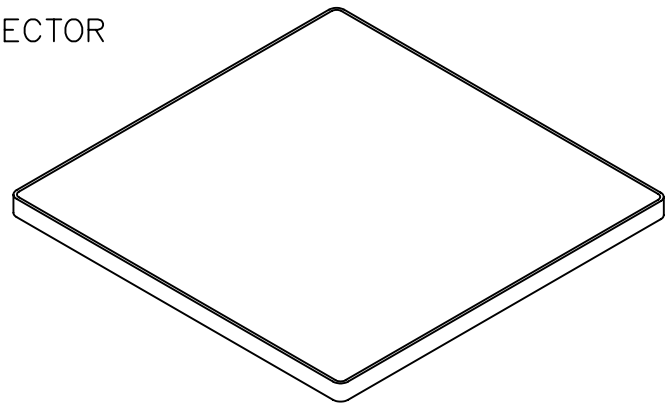
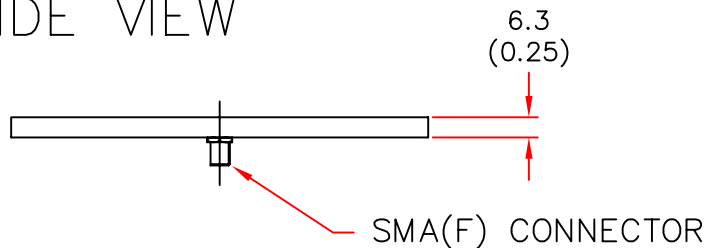


## FLAT PANEL ANTENNA

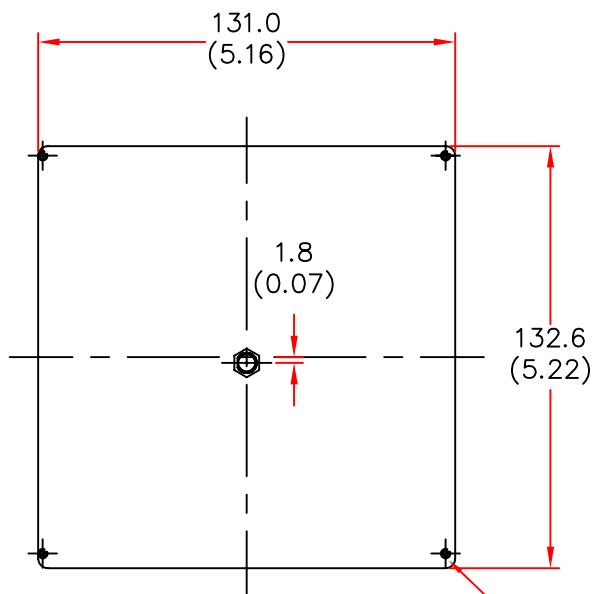
MODEL: FPA23-14V/210

FREQUENCY: 14.2 - 14.6 GHz	GAIN: 23 dBi
POLARISATION: Linear (Vertical)	BEAMWIDTH: 10° (Az.) x 10° (El.)
CROSS POLAR: 20 dB	VSWR: 1.5 : 1
POWER RATING: 10 W	FRONT TO BACK: > 40 dB
TEMPERATURE: -20°C to +50°C	MASS: 0.3 Kg/0.66 lbs
RADOME: Dark Brown	WIND LOADING: 2.8Kg/6.2lbs @ 100mph

### SIDE VIEW



### ISOMETRIC VIEW



4 x M3.0 x 4.5 DEEP  
ON 125.0 x 126.6 CENTRES

### REAR VIEW

DIMENSIONS: mm (inches)

GA 0210 - 1 Issued 050897

EUROPEAN ANTENNAS LTD.

TEL: +44 (0)1638 731888

LAMBDA HOUSE, CHEVELEY,  
NEWMARKET, SUFFOLK, CB8 9RG,  
UNITED KINGDOM.

FAX: +44 (0)1638 731999

European Antennas Ltd. has a policy of continuous development and therefore stress that the data contained on this sheet should be used for guidance only.