



EUROPEAN ANTENNAS

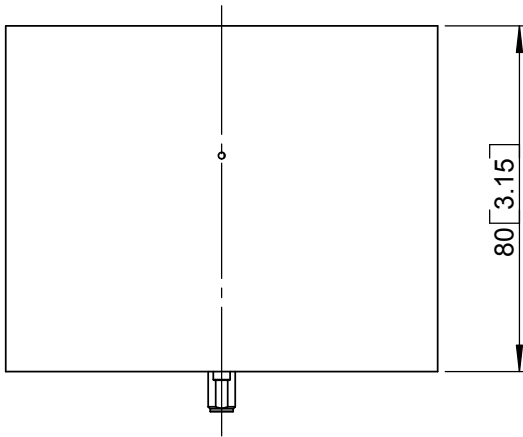
Excellence through design
Creative in concept

BROADBAND SPIRAL ANTENNA

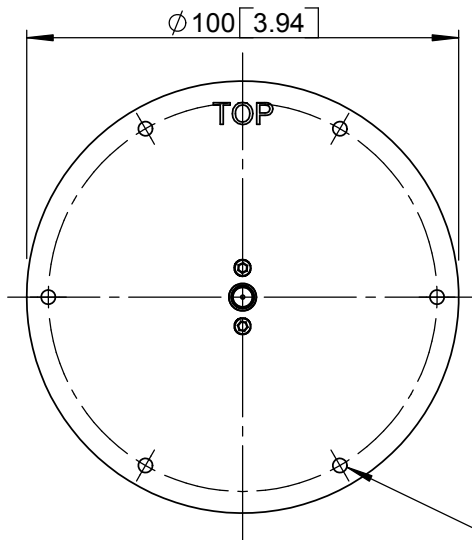
MODEL: PSA1040R/1366

FREQUENCY:	1.0 - 4.0 GHz	GAIN:	-5 to +7.5 dBiC across band
POLARISATION:	Right Hand Circular	BEAMWIDTH:	75° (Az) x 75° (El) Approx.
AXIAL RATIO:	1 dB Typical on Boresight	VSWR:	2.5:1 <1.5 GHz, 2:1 >1.5 GHz Max.
POWER RATING:	5 W	FRONT TO BACK:	25 dB Typical
TEMPERATURE:	-83° to +70°C	MASS:	235g / 8.26oz
FINISH:	Alocrom Housing, White Radome	WIND LOADING:	N/A

TOP VIEW



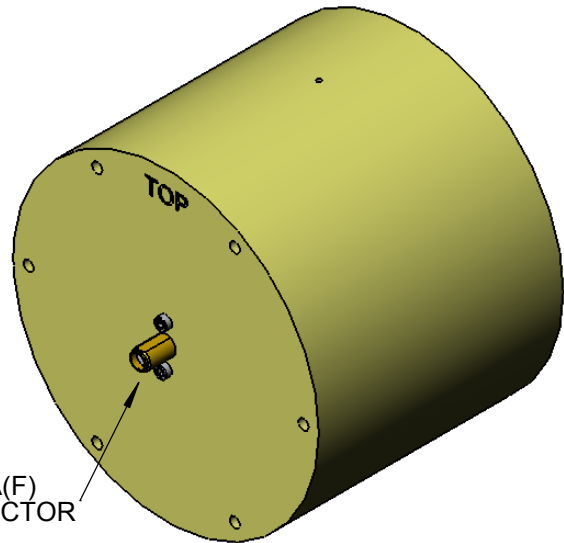
REAR VIEW



SMA(F)
CONNECTOR

6 OFF M4 TAPPED HOLES
EQUI-SPACED ON 90 PCD

ISOMETRIC VIEW



GA: 1366-1 | Issued: 101006 | DIMENSIONS: mm [inches] | L

EUROPEAN ANTENNAS LTD.
LAMBDA HOUSE, CHEVELEY
NEWMARKET, SUFFOLK, CB8 9RG,
UNITED KINGDOM



Certificate No 9268

Tel: +44 (0)1638 731888
Fax: +44 (0)1638 731999
E-Mail: sales@european-antennas.co.uk
Website: www.european-antennas.co.uk