

Drop-in Isolators

Part Number: KTDI1302-C1

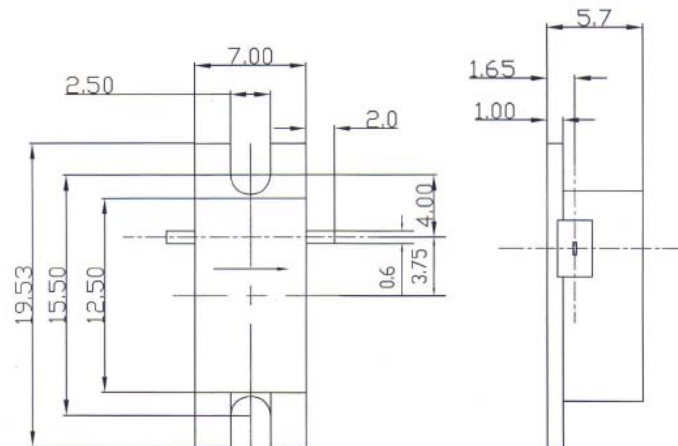
Main Features:

- Broad Option of Frequency Range: 10.0GHz -13.3GHz
- High Isolation, Low Insertion Loss, Small Size
- Wide Operating Temperature: -40°C~+75°C
- Commercial, Military and Space Applications

Electrical Specifications at Room Temperature:

| Part Number | Freq. Range (GHz) | Bandwidth Max. (MHz) | Insertion Loss Max. (dB) | Isolation Min. (dB) | VSWR Max. | Reverse Power (W) | Connector Type |
|-------------|-------------------|----------------------|--------------------------|---------------------|-----------|-------------------|----------------|
| KTDI1302-C1 | 10.0 - 13.3 | full | 0.5 | 20 | 1.25 | 5 | TAB |

Mechanical Dimensions (mm):



HOW TO ORDER

