

# N 3GHZ 5 WATTS M/F ATTENUATORS

SA3N5W-XX

## SPECIFICATIONS

### ELECTRICAL:

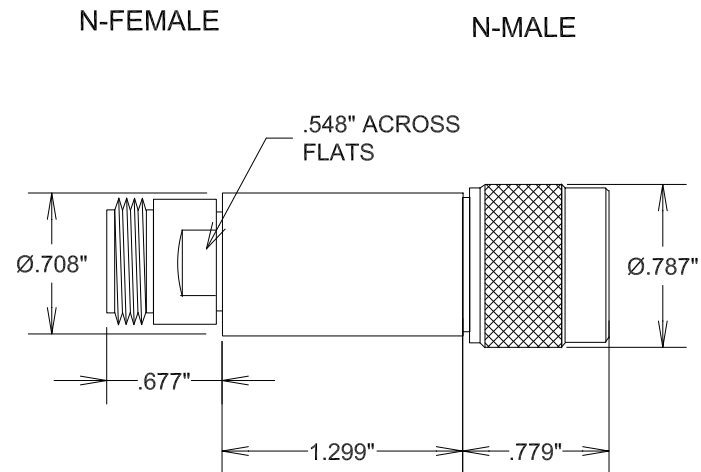
FREQUENCY: 0-3 GHZ  
 VSWR @ 3GHZ : 1.20 MAX  
 POWER (AVG) 5 WATTS  
 POWER (PEAK) 500 WATTS  
 IMPEDANCE: 50 OHMS  
 ATTENUATION ACCURACY  
 1-9 DB: +/- 0.4 DB  
 10, 20 DB: +/- 0.4 DB @ 2 GHZ 0.5 @ 3 GHZ  
 30, 40 DB +/- 0.5 DB @ 2 GHZ 0.6 @ 3 GHZ

### MECHANICAL:

MATERIAL BODY: NICKEL PLATED BRASS  
 CENTER CONTACT FEMALE: BeCu  
 CENTER CONTACT MALE: BRASS

### ENVIRONMENTAL:

TEMP: -55 C TO +125 C  
 ROHS COMPLIANT



				<b>FAIRVIEW MICROWAVE INC.</b>	
				ALLEN, TX 75013    WWW.FAIRVIEWMICROWAVE.COM	
				TITLE	
				<b>N 3GHZ 5 WATTS M/F ATTENUATORS</b>	
		SIZE	CAGE CODE	DWG NO	REV
		<b>A</b>		<b>SA3N5W-XX</b>	--
			SCALE	SHEET	