

Coaxial Isolators

Part Number: KTCI-0301B

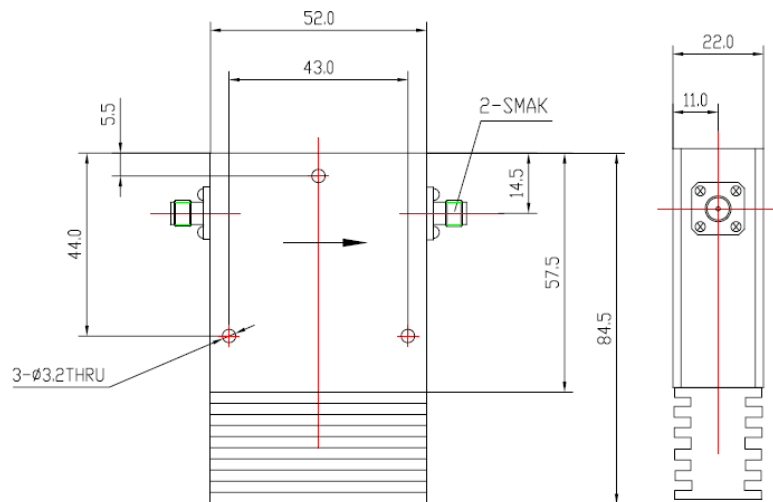
Main Features:

- Frequency Range: 0.3GHz - 0.4GHz
- Small Size, High Isolation, Low Insertion Loss, High Power Handling
- Wide Operating Temperature: -15°C~+60°C
- Commercial, Military and Space Applications

Electrical Specifications at Room Temperature:

Part Number	Freq. Range (GHz)	Bandwidth Max. (MHz)	Insertion Loss Max. (dB)	Isolation Min. (dB)	VSWR Max.	Reverse Power (W)	Connector Type
KTCI-0301B	0.3 - 0.4	30	0.3	25	1.20	100	SMA/N

Mechanical Dimensions (mm):



HOW TO ORDER

