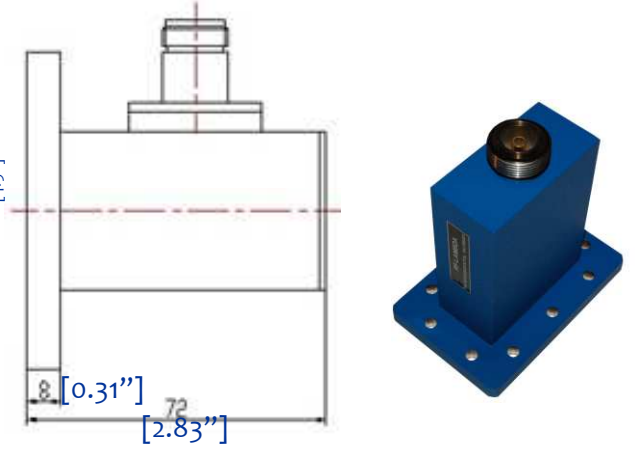
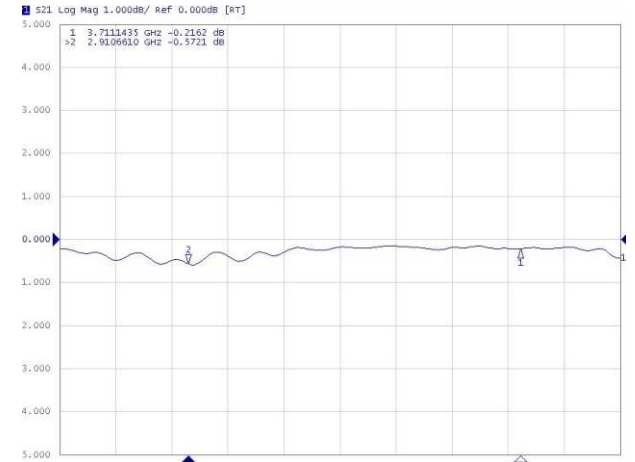
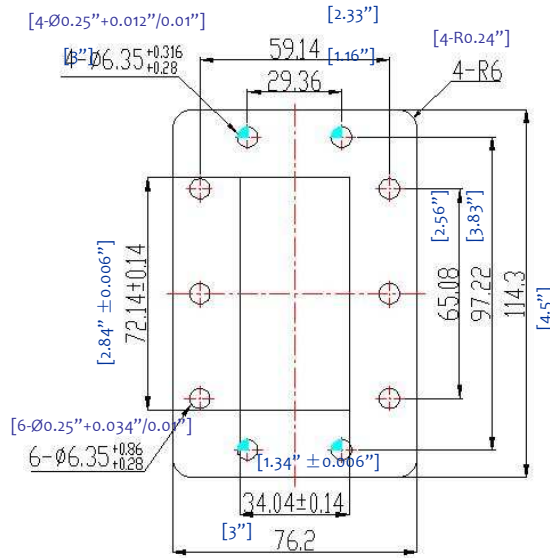


WAVEGUIDE TO COAXIAL ADAPTER--- RFWA284

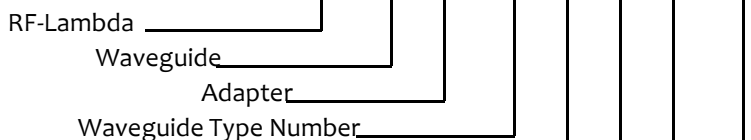
1.0 Mechanical Specifications		
1.1	Waveguide type	Rectangular Waveguide WR284
1.2	Flange type	UDR32 as shown CPRG, CPRF, COVER, CHOKE available
1.3	Flange Holes	Through
1.4	Basis-material	Alloyed Cuprum
1.5	Coaxial Connector	SMA, N, TNC, 7/16 (Male or Female)
1.6	Internal Body Finish	Silver Plated chromate or conversion
1.7	External Body Finish	Body painted with gray/black epoxy enamel

2.0 Environment specifications		
2.1	Operation Temp.	-40°C~+85°C
2.2	Storage Temp.	-50°C~+125°C
2.3	Altitude	45000 ft
2.4	Vibration	10g rms (15 degree 2KHz)
2.5	Humidity	100% RH at 35c, 95%RH at 40 deg c
2.6	Shock	20G for 11msc

3.0 Electrical Specifications		
3.1	Frequency Range	2.60 ~ 3.95GHz
3.2	Insertion Loss	0.2dB max.
3.3	Max. VSWR	1.20:1



Part Number: **RF W A 284 A 0 CF AL**



Connector Type: A=SMA, B=N, C=TNC, D=7/16
 Degree: 9=90° or 0=0°
 Flange Type: CG=CPRG; CF=CPRF; CO=COVER; CK=CHOKE
 Material: AL=Aluminum; BS=Brass; AC=Alloyed Cuprum; SS=Stainless

PAGE 1 OF 1	DATE Jul 10 th 2004
PROPRIETARY INFORMATION THE INFORMATION CONTAINED IN THIS DOCUMENT IS THE PROPERTY OF RF-LAMBDA EXCEPT AS SPECIFICALLY AUTHORIZED IN WRITING BY RF-LAMBDA. THE HOLDER OF THIS DOCUMENT SHALL KEEP ALL INFORMATION CONTAINED HEREIN CONFIDENTIAL AND SHALL PROTECT SAME IN THE WHOLE OR IN PART FROM DISCLOSURE AND DISSEMINATION OF ALL THIRD PARTIES AND SHALL USE SAME FOR OPERATING AND MAINTENANCE PURPOSES ONLY	DESIGN RFPC
RF-LAMBDA	RFPC
CAD MODEL REVISION 08	1
ASSEMBLY REVISION VS52	1
ASSEMBLY NAME RFLVR25	1
DRAWING NUMBER D05-4	0
www.rflambda.com	
RF-LAMBDA	SIZE LT SHEETS 1 OF 1