



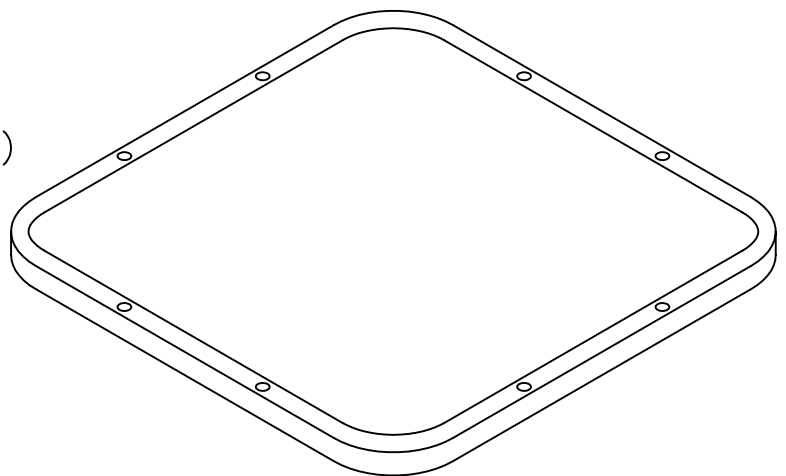
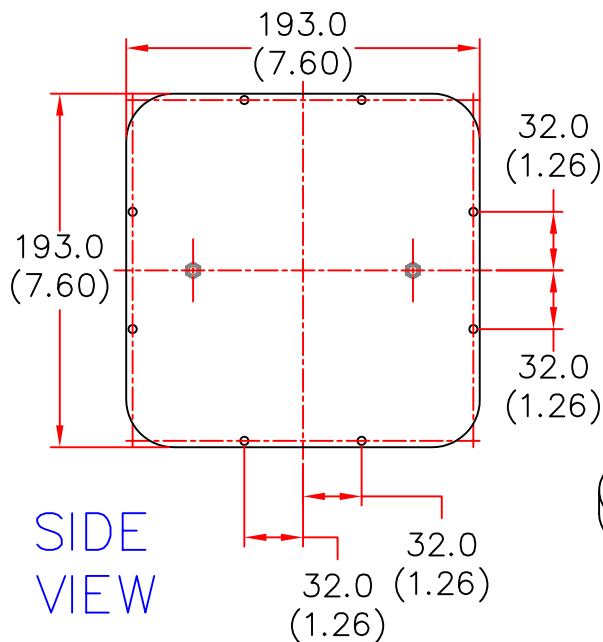
# EUROPEAN ANTENNAS



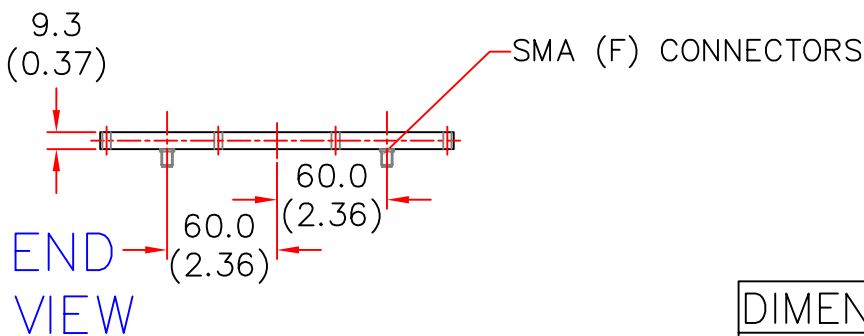
## FLAT PANEL ANTENNA

MODEL: FPA19-55VH/490

FREQUENCY: 5.25 - 5.825 GHz	GAIN: 18 dBi (Both Ports)
POLARISATION: Linear (Vert & Hori)	BEAMWIDTH: 20° x 20°
CROSS POLAR: 20dB min	VSWR: 1.5:1 Max
POWER RATING: 5W	FRONT TO BACK: 30dB Max
TEMPERATURE: -20°C to +50°C	MASS: 610g/1.34 lbs
RADOME: Glass Fibre Gloss White	WIND LOADING: 6.04Kg/13.29lbs @ 100mph



ISOMETRIC VIEW



DIMENSIONS: mm (inches)

GA 490 - 2 Issued 040101

EUROPEAN ANTENNAS LTD.

TEL: +44 (0)1638 731888

LAMBDA HOUSE, CHEVELEY,  
NEWMARKET, SUFFOLK, CB8 9RG,  
UNITED KINGDOM.

FAX: +44 (0)1638 731999

European Antennas Ltd. has a policy of continuous development and therefore stress that the data contained on this sheet should be used for guidance only.