

# Power Dividers

820-915 MHz

## Power Combiners / Dividers: Cellular Tx

- Wireless Coverage
- Can Combine Very High Power Non-Coherent Signals



### Specifications

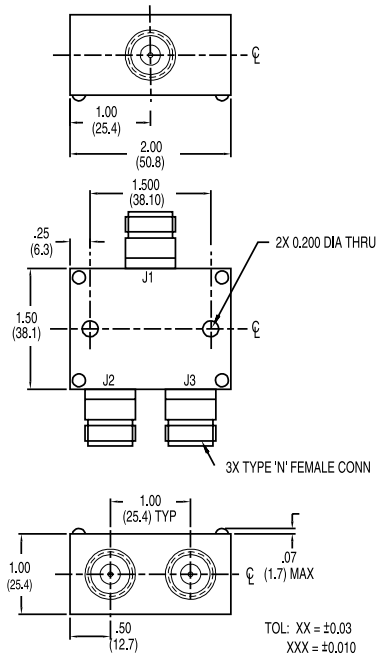
Type N, 2-, 3- and 4-Way, 820 to 915 MHz

FREQUENCY RANGE (MHz)	MODEL	N-WAY	VSWR (max.)		INSERTION LOSS (dB max.)		ISOLATION (dB min.)	AMPLITUDE BALANCE (dB max.)	PHASE BALANCE (max.)	TOTAL INPUT POWER*				WEIGHT	
			INPUT	OUTPUT	EXCLUDING COUPLED POWER	INCLUDING COUPLED				POWER DIVIDER OPERATION PORT J1		POWER COMBINER OPERATION MAX POWER PER PORT		oz.	gr.
										AVERAGE (W)	PEAK (kW)	AVERAGE (W)	PEAK (kW)		
820-915	30402	2-way	1.3	1.2	0.5	3.5	20	0.2	±3°	80	3	40	1.5	4.9	140
820-915	30403	3-way	1.3	1.2	0.6	5.4	20	0.2	±5°	80	3	27	1	8.1	230
820-915	30373	4-way	1.3	1.2	0.6	6.6	20	0.2	±3°	100	3	25	.75	10.9	310

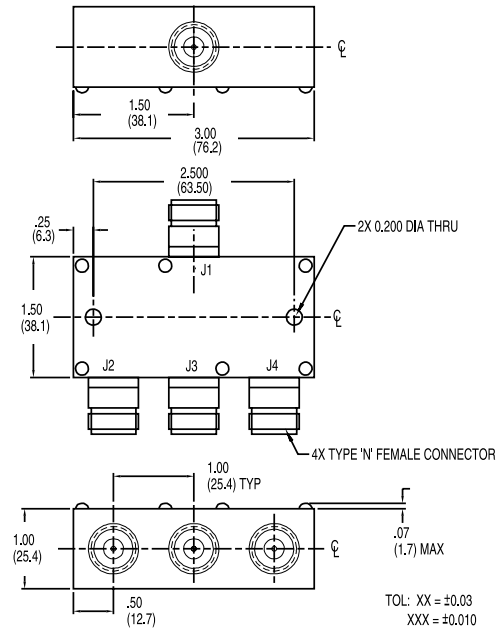
\* Case Temperature must be limited to 85° C maximum, cooling fan may be required

# Power Dividers

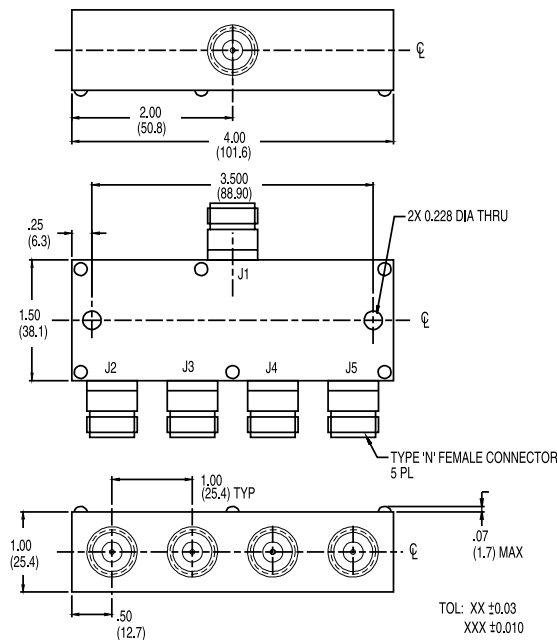
## Outline Drawings



**MODEL 30402**



**MODEL 30403**



**MODEL 30373**

Dimensions in inches (mm in parentheses), unless otherwise specified.