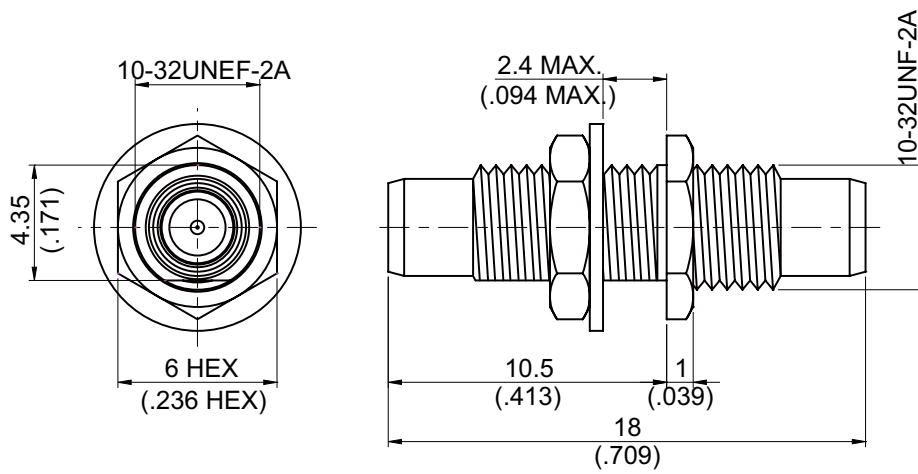
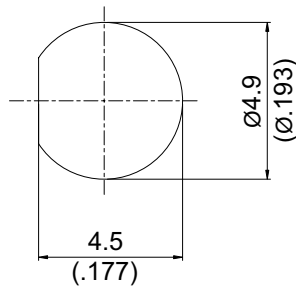


AD-MC8MC8-BF

SMC Jack To SMC Jack For Bulkhead 50Ω



MOUNTING HOLE



Typical VSWR

Part Number	1Ghz	2Ghz	3~4GHz	5GHz
AD-MC8MC8-BF	1.02	1.08	1.1	1.22

Parts	Material	Plating (Micro-inch)
Hex Nut	Brass	Gold 4 Over Nickel-Phosphorus Alloy 80 Over Copper 20
Lock Washer	Brass	Gold 4 Over Nickel-Phosphorus Alloy 80 Over Copper 20
Contact Pin	Brass	Gold 4 Over Nickel-Phosphorus Alloy 80 Over Copper 20
Insulator	Teflon	
Body	Brass	Gold 4 Over Nickel-Phosphorus Alloy 80 Over Copper 20

Weight:

This part number complies with RoHS.

Notice: JYBAO reserves the right to make modifications deemed appropriate.