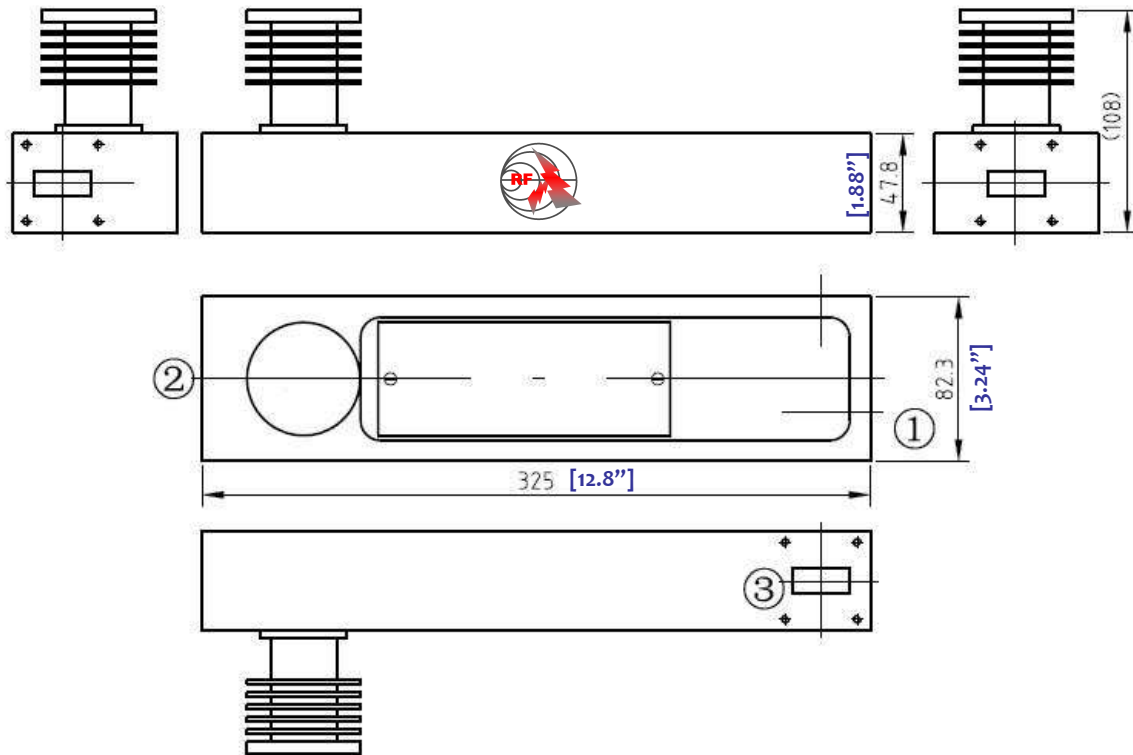



200W CW WAVEGUIDE 4-PORT WR12 CIRCULATOR --- RFWC4P112B



2.0	Environment specifications	
2.1	Operation Temp.	-40°C~+85°C
2.2	Storage Temp.	-50°C~+125°C
2.3	Altitude	15000 ft
2.4	Vibration	10g rms (15 degree 2KHz)
2.5	Humidity	90% RH at 35c, 95%RH at 40 deg c
2.6	Shock	20G for 11msc

3.0	Electrical Specifications	
3.1	Freq. Range	7.05-10GHz
3.2	Bandwidth	10% Fc
3.3	Insertion Loss	0.5dB max (1->2, 2->3)
3.4	Isolation	20dB min (1->3, 2->1)
3.5	Power Handle:	200W (CW)
3.6	Peak Power	250KW
3.7	Max. VSWR	1.20:1 (Port 1 and 2)

1.0	Mechanical Specifications	
1.1	Waveguide	Rectangular Waveguide WR112
1.2	Flange type	CPRG, CPRF, COVER, CHOKE available
1.3	Flange Holes	Through
1.4	Basis-material	Alloyed Aluminum
1.5	External Finish	Body painted with gray/black epoxy enamel

PAGE 1 OF 1		DATE Jun 17 th 2009
<small>PROPRIETARY INFORMATION THE INFORMATION CONTAINED IN THIS DOCUMENT IS THE PROPERTY OF RF-LAMBDA EXCEPT AS SPECIFICALLY AUTHORIZED IN WRITINGS BY RF-LAMBDA. THE HOLDER OF THIS DOCUMENT SHALL KEEP ALL INFORMATION CONTAINED HEREIN CONFIDENTIAL AND SHALL PROTECT SAME IN THE WHOLE OR IN PART FROM DISCLOSURE AND DISSEMINATION OF ALL THIRD PARTIES AND SHALL USE SAME FOR OPERATING AND MAINTENANCE PURPOSES ONLY</small>		DESIGN RFPC
		RF-LAMBDA RFPC
		CAD MODEL REVISION 02
		ASSEMBLY REVISION VS2
 RFWC4P112B WAVEGUIDE HIGH POWER CIRCULATOR		ASSEMBLY NAME RFLVR42
www.rflambda.com		DRAWING NUMBER D02-3
RF-LAMBDA	SIZE LT	SHEETS 1 OF 1