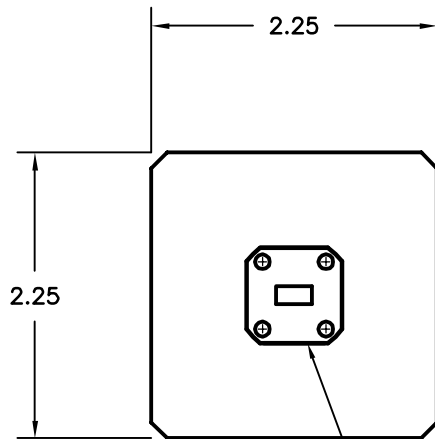
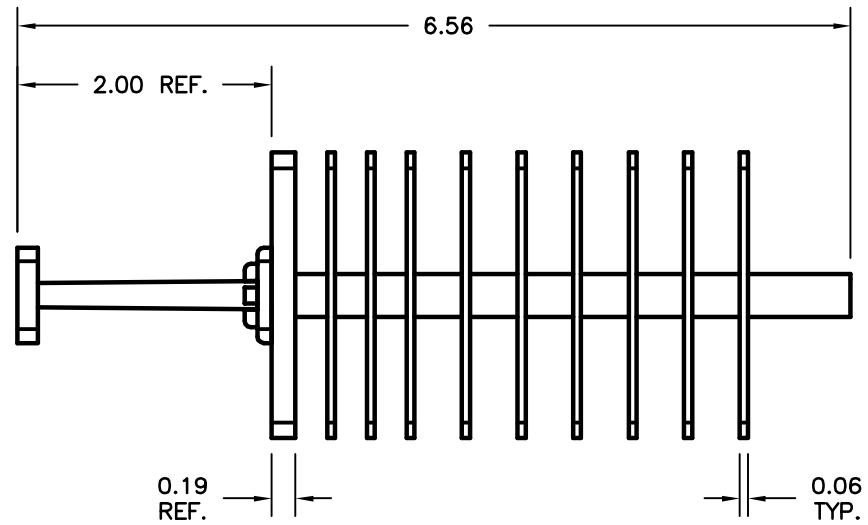


REV A	DATE 10/23/03	INITIAL RELEASE	APPROVED
B	4/12/04	LENGTH 6.56 WAS 6.31	
C	12/22/05	POWER RATING (300W) WAS: (500W); PROJECTION ADDED, NOTES UPDATED.	



WR28 FLANGE PER ORDER, UG-COVER STD.



MODEL SPECIFICATIONS

MODEL CODE: 28-760-X*
 WG SIZE: WR28
 FLANGES: PER ORDER, SEE TABLE A
 FREQ. RANGE: 26.50-40.0 GHz
 VSWR: 1.15 MAX.
 AVG. POWER: 300 WATTS

*TABLE A ATM STANDARD FLANGE TYPES
6 = UG-COVER
7 = UG-CHOKE
8 = SPECIAL

MATERIAL	6061/T-6 ALUM.	TREATMENT	-	DRAWN	J. EAGAN	DATE	10/23/03
FINISH	HI-TEMP BLACK	MOD NO.	28-760-X	CHECKED		DATE	
OUTLINE, WR28, 300 WATT TERMINATION				APPROVED		DATE	
				CAGE CODE: OR8N4	DO NOT SCALE DWG		
				ADVANCED TECHNICAL MATERIALS, INC. 49 RIDER AVE., PATCHOGUE N.Y. 11772 TEL: (631) 289-0363 FAX: (631) 289-0358 http://www.atmmicrowave.com			UNLESS OTHERWISE NOTED DIMENSIONS ARE IN INCHES TOLERANCES ARE:
 <small>PROPRIETARY NOTICE: THE INFORMATION IN THIS DRAWING IS PROPRIETARY AND SHALL NOT BE USED OR DISCLOSED WITHOUT THE PRIOR WRITTEN CONSENT OF ATM, INC.</small>			SCALE 1/1		DWG. NO. 5850W	REV. C	