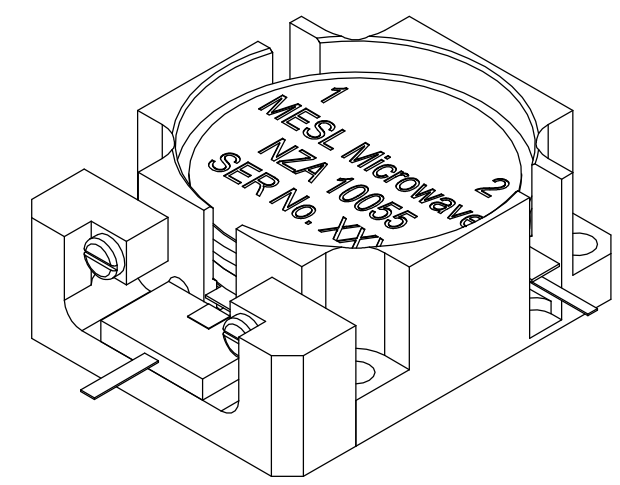
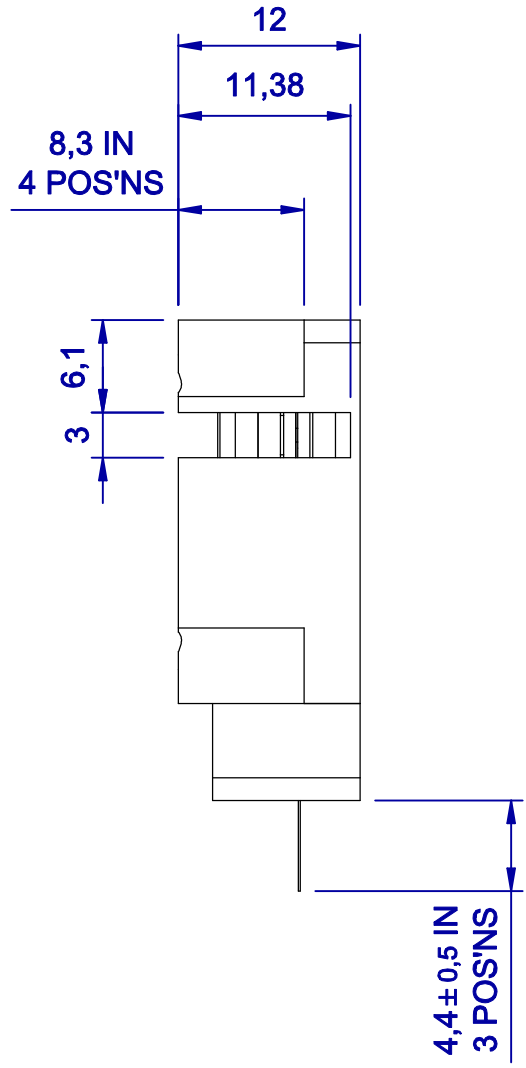
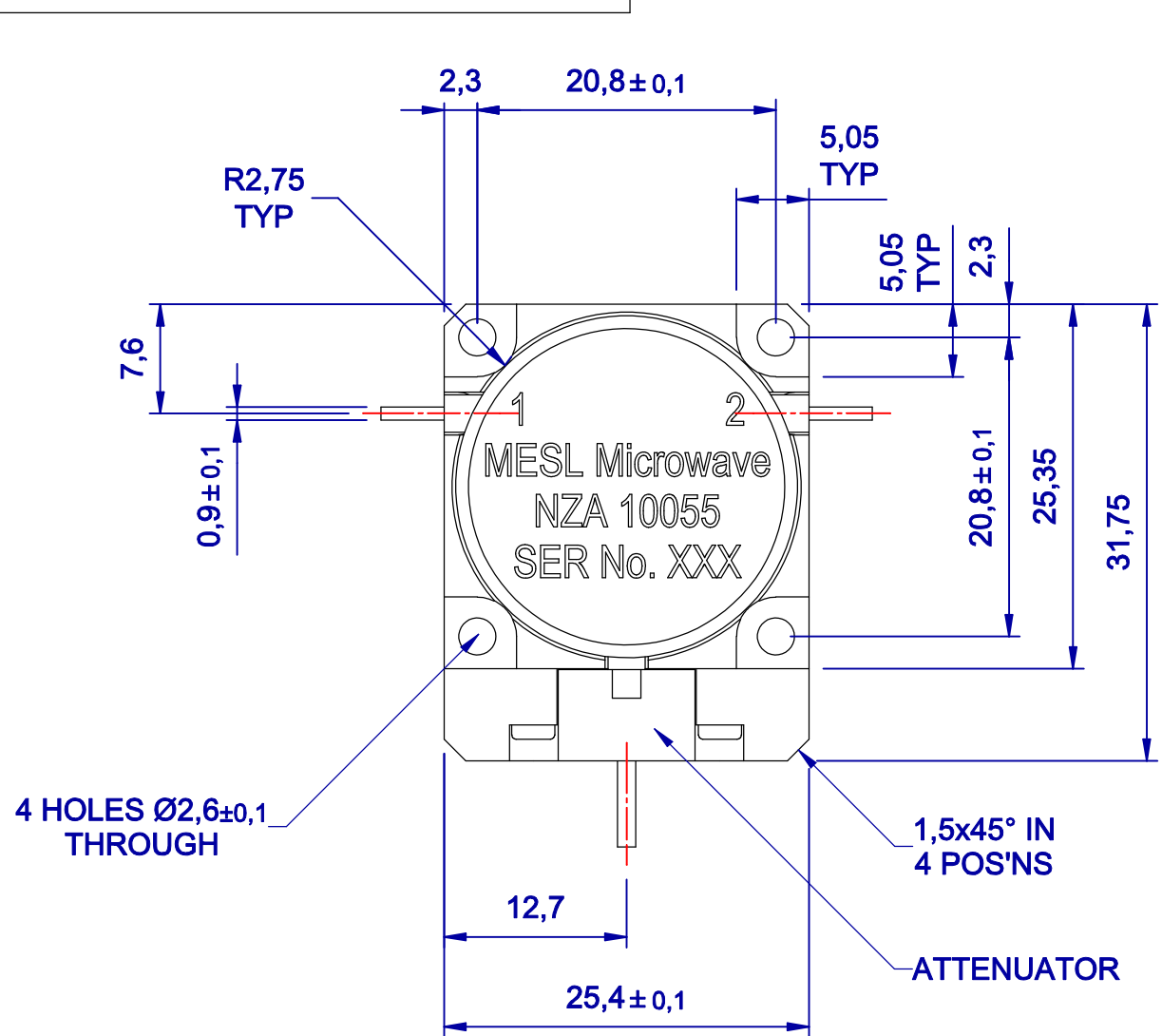


MESL Microwave Ltd

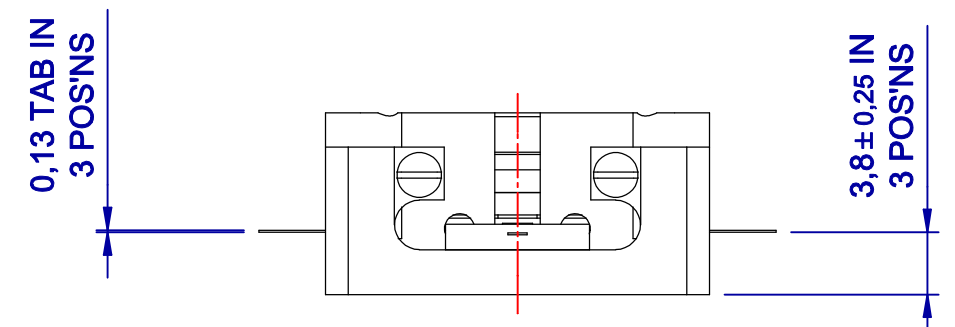


ELECTRICAL SPECIFICATION:

Frequency Range: 1930 to 1990MHz
 Insertion Loss: 0.3dB max
 Return Loss INPUT/OUTPUT: 20dB max
 Isolation: 20dB min
 Operating Temperature: -40°C to +85°C
 Attenuator: 30dB ±1dB
 IMD. Two Carriers of 41dBm @ 1MHz spacing
 >80dBc @ 25°C Anywhere in the Frequency Range

NOTES:
 1. THIS UNIT IS ROHS COMPLIANT BY DESIGN.

Q.A.	
DATE	
PROD.REL.	
DATE	
ENG.APP.	
J.G.	
DATE	
20/02/2008	
MECH. ENG.	
DATE	
DRAWN	
S.W.	
DATE	
19.02.08	



LIGHTLY REMOVE ALL BURRS AND SHARP EDGES U.O.S.

ORIGINAL SCALE	2:1	MATERIAL	SPECIFICATION
DO NOT SCALE PRINT			
DIMENSION IN			
mm			
CERTIFIED AT ISSUE		FINISH	SPECIFICATION
		BODY: SILVER PLATED	

REF	DESCRIPTION	No OFF	CHAR.	POS.TOL.	ISSUE	DATE	MOD NUMBER
GREEN (Fully Released)							A 3
GENERAL TOLERANCE UNLESS OTHERWISE STATED		CONTRACTOR		SECURITY CLASSIFICATION			
ISO 2768-fH Symmetry ± 0,05		MESL Microwave Ltd					
FINISH TO BE		RESPONSIBLE AUTHORITY		CONTRACTORS DRAWING NUMBER			
1.6		J. Gillies		10055-000-OL			
UNLESS OTHERWISE STATED		TITLE		SERVICE DRAWING NUMBER		SHEET	
		1930-1990MHz DROP-IN ISOLATOR WITH ATTENUATOR				No 1 OFF 1	