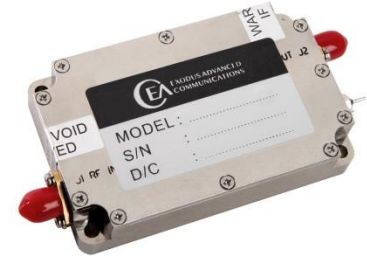




# AMP1042 SOLID STATE HIGH POWER AMPLIFIER

## FEATURES

- Class AB linear GaN design
- Instantaneous wide bandwidth
- Suitable for all modulations standards
- Built-in protection circuits
- High reliability and ruggedness



## ELECTRICAL SPECIFICATIONS

Parameter	Specification	Notes
Operating Frequency Range	500 - 2000 MHz	
Power Output Psat	4 Watt Min	CW
Power Gain	36 dB Min	
Power Gain Flatness	3.0 dB p-p Max	
Input Return Loss	-10 dB	Relative to 50 Ohm
2-Tone Intermodulation (IMD)	>30 dBc	26dBm/Tone, $\Delta = 1\text{MHz}$
Harmonics 2 <sup>nd</sup> / 3rd	>15 dBc / >20 dBc Max	At rated Pout
Non Harmonics Spurious	>60 dBc	
Operating Voltage	26 - 30 VDC	
Current Consumption	0.8 Amp Max	At rated Pout
Max Input Power	+8 dBm Max	Without damage
Load VSWR Protection	$\infty : 1$	

## ENVIRONMENTAL CHARACTERISTICS

Parameter	Specification	Notes
Operating Case Temperature	-20 to +75 °C	
Storage Temperature	-40 to +85 °C	
Relative Humidity	5 to 95 %	Non Condensation

## MECHANICAL SPECIFICATIONS

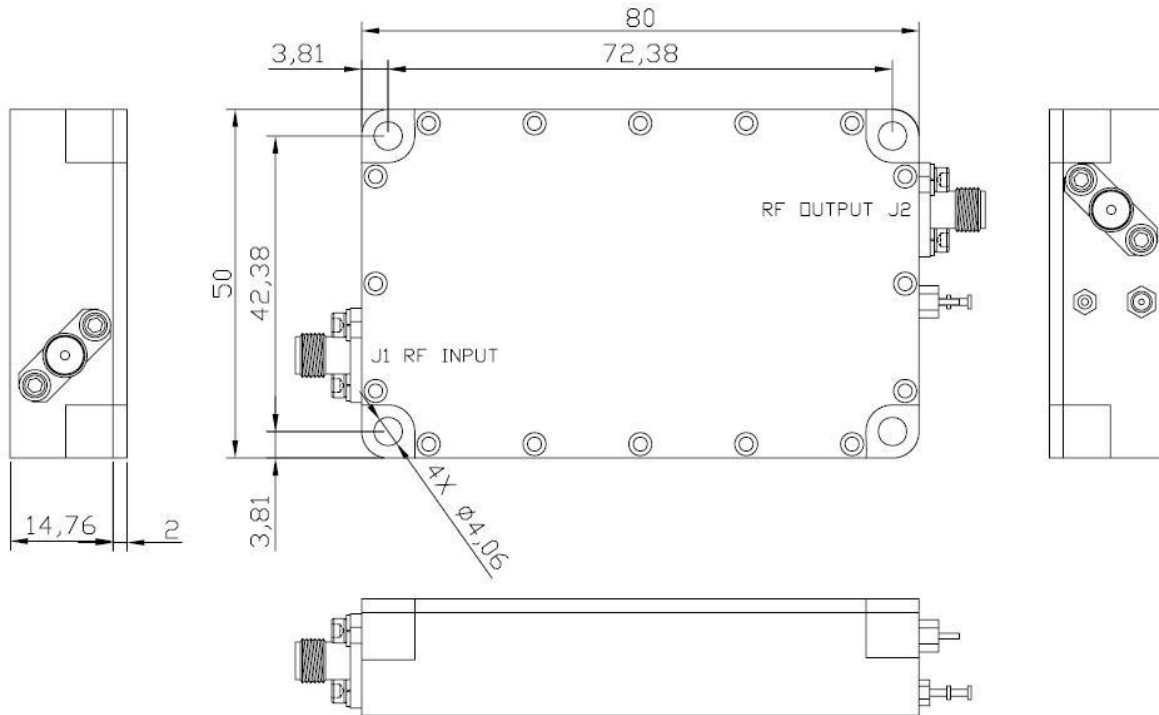
Parameter	Specification	Notes
Dimensions	80 x 50 x 17 mm	Without Connectors
Weight	150 gr.	Typical Weight
RF Connectors In/Out	SMA female	
DC Power / Interface Connector	Feed Thru	
Cooling	External Heatsink	

## OPTION ORDERING INFORMATION:

OPTION	Function	Description
101	FWD	Forward power detect
103	VVA	Variable Voltage Attenuator

# AMP1042 SOLID STATE HIGH POWER AMPLIFIER

## OUTLINE DRAWING



## OPTION - 103

