



EUROPEAN ANTENNAS

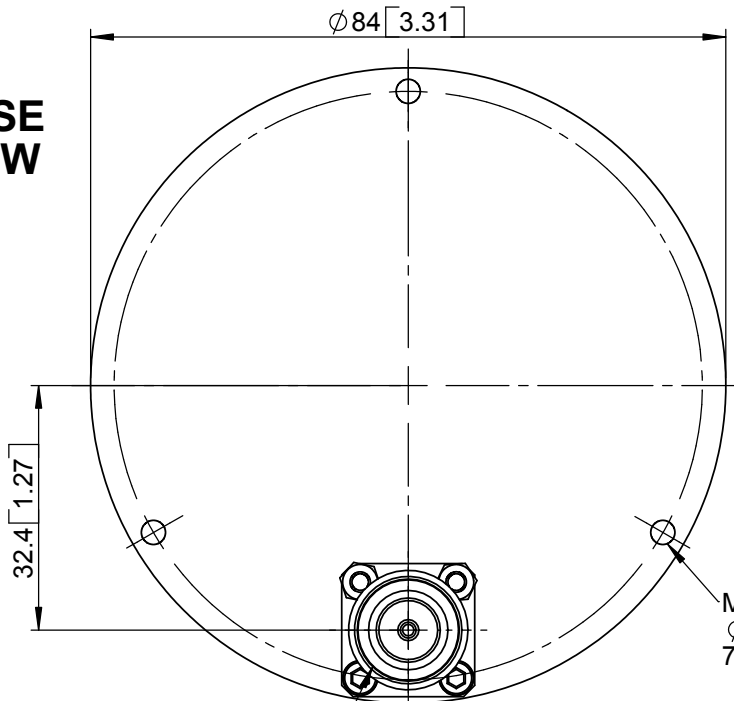
Excellence through design
Creative in concept

LOW PROFILE ANTENNA

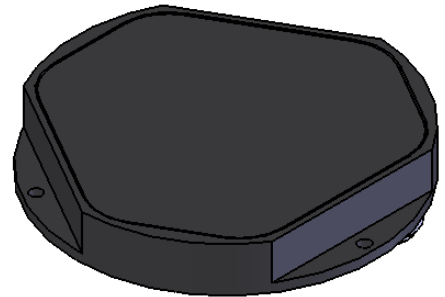
MODEL: LPA7-3450R/1304

FREQUENCY:	3.3 - 3.6 GHz	GAIN:	8 dBiC Nom.
POLARISATION:	Right Hand Circular	BEAMWIDTH:	70° (Az) x 70° (El) Approx.
AXIAL RATIO:	<3.0 dB Typical	VSWR:	1.5:1
POWER RATING:	10 W	FRONT TO BACK:	>25 dB
TEMPERATURE:	-20° to +50°C	MASS:	110g / 0.242 lbs
FINISH:	Matt Black	WIND LOADING:	0.9 kg / 2.0 lbs @ 100 mph

BASE VIEW

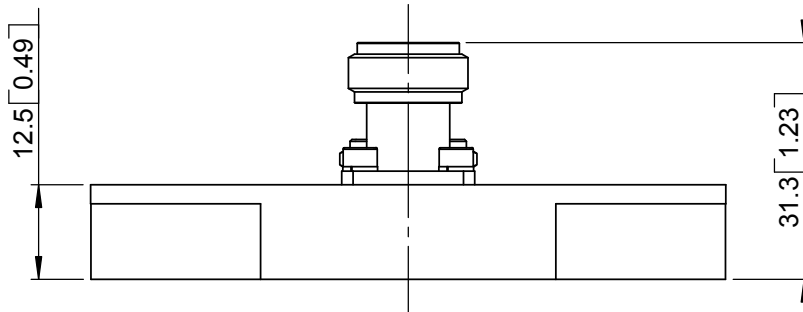


N(F) CONNECTOR



ISOMETRIC VIEW

MOUNTED VIA 3 OFF
Ø3.2 HOLES ON A
77.8 P.C.D.



SIDE VIEW

GA: 1304-1 Issued: 270606 DIMENSIONS: mm (inches) M

EUROPEAN ANTENNAS LTD.
LAMBDA HOUSE, CHEVELEY
NEWMARKET, SUFFOLK, CB8 9RG,
UNITED KINGDOM



Certificate No 9268

Tel: +44 (0)1638 731888
Fax: +44 (0)1638 731999
E-Mail: sales@european-antennas.co.uk
Website: www.european-antennas.co.uk