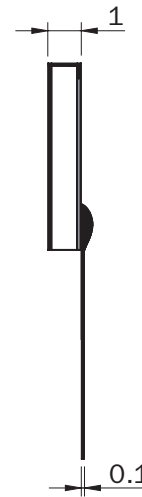
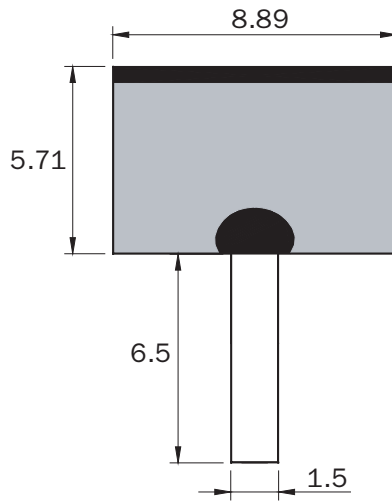
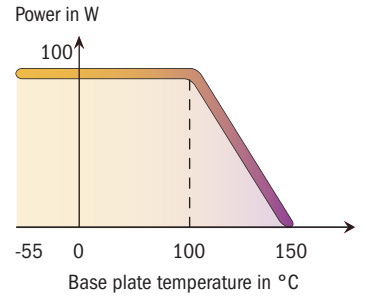




Standards
NF C 96-315
MIL-DTL-39030



Substrate	AIN
Resistive film	Thick film
Protection film	Epoxy
Tab	Ag
Tab attachment	Brazed with epoxy encapsulation



Dimensions in mm

P/N	Frequency (GHz)	Power (W)	Impedance ($\Omega \pm 5\%$)	Max VSWR
17-0475	5	100	50	1.20

mm	inch
0.1	0.004
1	0.039
1.5	0.059
5.71	0.225
6.5	0.256
8.89	0.350