



Low Power 5 Watts RF Load Up To 7 GHz With
7/16 DIN Female Input Tri-Metal Plated Brass

TECHNICAL DATA SHEET

PE6139

Configuration

Connector	7/16 DIN Female
Heat Sink	Brass, Tri-Metal
Connection Method	Standard
Body Style	Straight

Electrical Specifications (Values at 25°C, sea level)

Description	Minimum	Typical	Maximum	Units
Frequency Range	DC		7	GHz
Impedance			50	Ohms
VSWR			1.25:1	
Input Power			5	Watts

Specifications by Frequency

Description	F1	F2	F3	F4	F5	Units
Range	DC to 7					GHz

Mechanical Specifications

Size

Length	1.82 in [46.23 mm]
Width/Dia.	1.14 in [28.96 mm]

Connector

Type	7/16 DIN Female
Inner Conductor Material and Plating	Tri-Metal
Body Material and Plating	Brass, Tri-Metal
Dielectric Type	PTFE

Compliance Certifications (visit www.Pasternack.com for current document)

RoHS Compliant

Plotted and Other Data

Notes:

- Values at +25 °C, sea level

Click the following link (or enter part number in "SEARCH" on website) to obtain additional part information including price, inventory and certifications: [Low Power 5 Watts RF Load Up To 7 GHz With 7/16 DIN Female Input Tri-Metal Plated Brass PE6139](#)



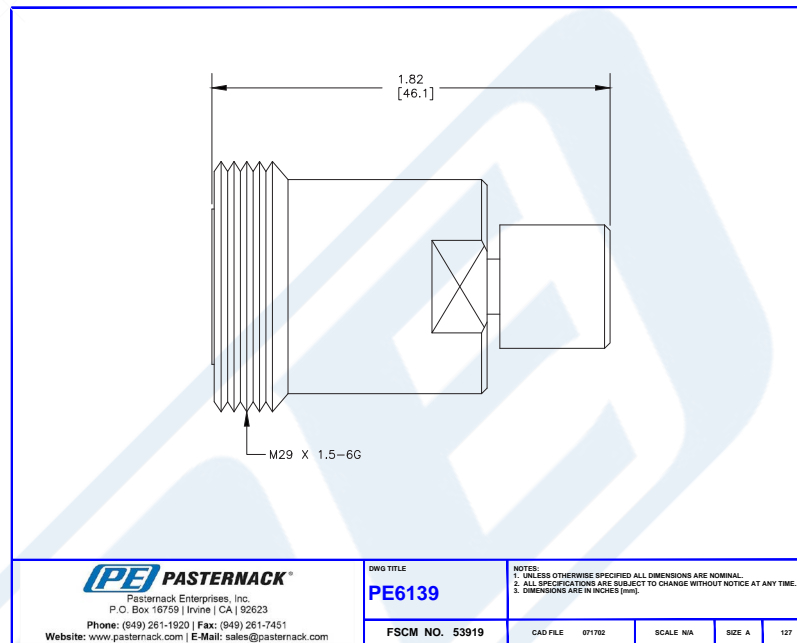


Low Power 5 Watts RF Load Up To 7 GHz With
7/16 DIN Female Input Tri-Metal Plated Brass

TECHNICAL DATA SHEET

PE6139

Outline Drawing



Low Power 5 Watts RF Load Up To 7 GHz With 7/16 DIN Female Input Tri-Metal Plated Brass from Pasternack Enterprises has same day shipment for domestic and International orders. Our RF, microwave and millimeter wave products maintain a 99% availability and are part of the broadest selection in the industry.

Click the following link (or enter part number in "SEARCH" on website) to obtain additional part information including price, inventory and certifications: [Low Power 5 Watts RF Load Up To 7 GHz With 7/16 DIN Female Input Tri-Metal Plated Brass PE6139](http://www.pasternack.com/716-female-high-power-termination-pe6139-p.aspx)

URL: <http://www.pasternack.com/716-female-high-power-termination-pe6139-p.aspx>

The information contained in this document is accurate to the best of our knowledge and representative of the part described herein. It may be necessary to make modifications to the part and/or the documentation of the part, in order to implement improvements. Pasternack reserves the right to make such changes as required. Unless otherwise stated, all specifications are nominal. Pasternack does not make any representation or warranty regarding the suitability of the part described herein for any particular purpose, and Pasternack does not assume any liability arising out of the use of any part or documentation.

