



BNC Tee Adapter Male-Female-Female

TECHNICAL DATA SHEET

PE9484

BNC Tee Adapter Male-Female-Female

Configuration

Connector 1	BNC Male
Impedance 1	50 Ohms
Connector 2	BNC Female
Impedance 2	50 Ohms
Connector 3	BNC Female
Adapter Design	Standard
Body Style	Tee

Electrical Specifications

Frequency Range, GHz	DC to 4
Maximum Operating Voltage, Volts	500

Frequency 1

Frequency, MHz	DC to 300
VSWR	1.3:1

Frequency 2

Frequency, GHz	0.3 to 2
VSWR	2.5:1

Mechanical Specifications

Temperature

Operating Range, deg C	-65 to +165
------------------------	-------------

Size

Length, in [mm]	1.63 [41.4]
Width/Dia., in [mm]	0.57 [14.48]
Height, in [mm]	1.186 [30.12]

Connector 1

Type	BNC Male
Inner Conductor Material and Plating	Brass, Gold
Inner Conductor Plating Specification	30µ in. minimum
Coupling Nut Material and Plating	Brass, Nickel
Coupling Nut Plating Specification	100µ in. minimum
Body Material and Plating	Brass, Nickel
Body Plating Specification	100µ in. minimum
Dielectric Type	Teflon

Connector 2

Type	BNC Female
------	------------

Click the following link (or enter part number in "SEARCH" on website) to obtain additional part information including price, inventory and certifications: [BNC Tee Adapter Male-Female-Female PE9484](#)

The information contained in this document is accurate to the best of our knowledge and representative of the part described herein. It may be necessary to make modifications to the part and/or the documentation of the part, in order to implement improvements. Pasternack reserves the right to make such changes as required. Unless otherwise stated, all specifications are nominal.





BNC Tee Adapter Male-Female-Female

TECHNICAL DATA SHEET

PE9484

Inner Conductor Material and Plating	Beryllium Copper, Gold
Inner Conductor Plating Specification	30µ in. minimum
Body Material and Plating	Beryllium Copper, Nickel
Body Plating Specification	100µ in. minimum
Dielectric Type	Teflon

Connector 3

Type	BNC Female
Inner Conductor Material and Plating	Beryllium Copper, Gold
Inner Conductor Plating Specification	30µ in. minimum
Body Material and Plating	Brass, Nickel
Body Plating Specification	100µ in. minimum

Compliance Certifications (visit www.Pasternack.com for current document)

RoHS Compliant	Yes
----------------	-----

Plotted and Other Data

Notes:	Values at 25 °C, sea level
--------	----------------------------

URL: <http://www.pasternack.com/bnc-male-female-female-y-adapter-pe9484-p.aspx>

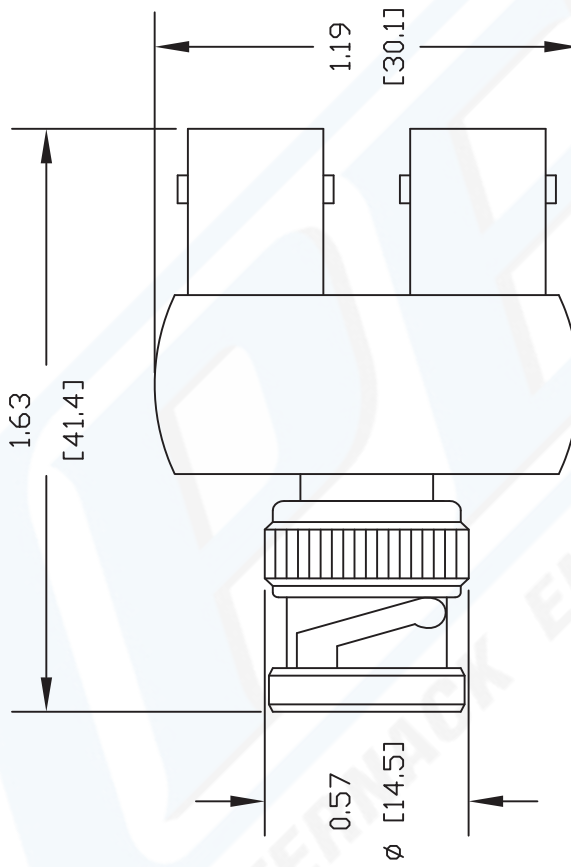
BNC Tee Adapter Male-Female-Female from Pasternack Enterprises has same day shipment for domestic and International orders. Our RF, microwave and fiber optic products maintain a 99% availability and are part of the broadest selection in the industry.

The information contained in this document is accurate to the best of our knowledge and representative of the part described herein. It may be necessary to make modifications to the part and/or the documentation of the part, in order to implement improvements. Pasternack reserves the right to make such changes as required. Unless otherwise stated, all specifications are nominal.



PE9484 CAD Drawing

BNC Tee Adapter Male-Female-Female



DWG TITLE

PE9484

- NOTES:
1. UNLESS OTHERWISE SPECIFIED ALL DIMENSIONS ARE NOMINAL.
 2. ALL SPECIFICATIONS ARE SUBJECT TO CHANGE WITHOUT NOTICE AT ANY TIME.
 3. DIMENSIONS ARE IN INCHES [mm].

PASTERNAK ENTERPRISES, INC.
 P.O. BOX 16759, IRVINE, CA 92623
 PHONE (949) 261-1920 FAX (949) 261-7451
 WEB ADDRESS: www.pasternack.com
 E-MAIL ADDRESS: sales@pasternack.com
COAXIAL & FIBER OPTICS



127

SIZE A

SCALE N/A

CAD FILE 092302

FSCM NO. 53919

REV. -