

Terminations & Loads



Model 1469 High Power, N & 3.5mm Connectors Convection Cooled

dc to 18.0 GHz
NEW 100 Watts

RoHS



Features

- /// Designed to meet environmental requirements of MIL-D-39030.
- /// Rugged injection molded connector.
- /// Low Intermodulation Option
- /// 1 Kilowatt Peak Power

Specifications

NOMINAL IMPEDANCE: 50 Ω

FREQUENCY RANGE: dc to 18.0 GHz

MAXIMUM SWR:	
Frequency (GHz)	SWR (maximum)
dc - 18.0	1.15

POWER RATING (mounted horizontally): 100 watts average to 25°C ambient temperature, derated linearly to 10 Watts @ 125°C. 1 kW peak (5 μsec pulse width; 5% duty cycle).

INTERMODULATION (Model 1469-X-LIM Only): IM3 (Reflected) = -100 dBc with two input signals @ 869 MHz and 891 MHz with an average power of +43 dBm each.

TEMPERATURE RANGE: -55 °C to 125 °C

TEST DATA: Swept data plots of SWR from 50 MHz to 18 GHz is available at additional cost.

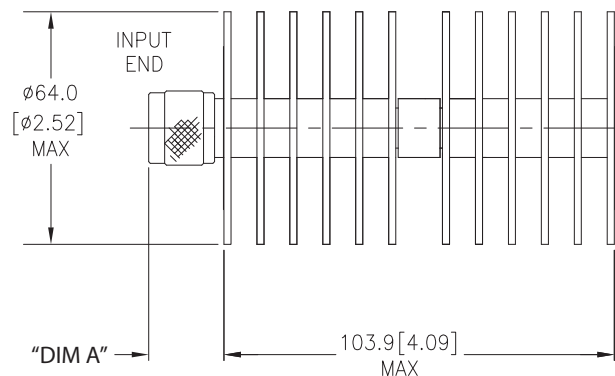
CONNECTOR: Type N connector per MIL-STD-348 interface dimensions - mate nondestructively with MIL-C-39012 connector. Choice of male (-4) or female connector (-3).

3.5mm connector mates nondestructively with SMA per MIL-C-39012, 2.92mm (SMK) and other 3.5mm connector. Choice of male (-2) or female connector (-1).

CONSTRUCTION: Black, finned aluminum body, stainless steel connector; gold plated beryllium copper contacts.

WEIGHT: 320 g (11.3 oz)

PHYSICAL DIMENSIONS:

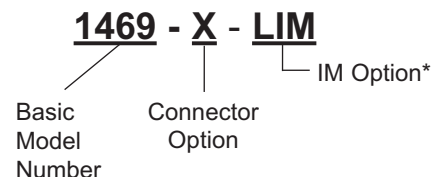


Model #	DIM A	Connector Type
1469-1	12.7 (0.50)	3.5mm female
1469-2	14.0 (0.55)	3.5mm male
1469-3	15.0 (0.59)	N female
1469-4	22.9 (0.90)	N male

NOTE: All dimensions are given in mm (inches) and are maximum, unless otherwise specified.

MODEL NUMBER DESCRIPTION:

Example:



* Add -LIM to entire model number for Low Intermodulation option.