



BNC Twinax Plug to BNC Twinax Plug Adapter

TECHNICAL DATA SHEET

PE9376

**BNC Twinax Plug to BNC Twinax Plug Adapter**

**Configuration**

Connector 1	BNC Twinax Plug
Impedance 1	78 Ohms
Connector 2	BNC Twinax Plug
Impedance 2	78 Ohms
Adapter Design	Standard
Body Style	Straight

**Mechanical Specifications**

**Temperature**

Operating Range, deg C	-65 to +165
------------------------	-------------

**Size**

Length, in [mm]	1.2 [30.48]
Width/Dia., in [mm]	0.57 [14.48]

**Connector 1**

Type	BNC Twinax Plug
Inner Conductor Material and Plating	Silver
Inner Conductor Plating Specification	QQ-S-365
Coupling Nut Material and Plating	Brass, Nickel
Body Material and Plating	Brass, Nickel
Dielectric Type	Teflon

**Connector 2**

Type	BNC Twinax Plug
Inner Conductor Material and Plating	Silver
Inner Conductor Plating Specification	QQ-S-365
Coupling Nut Material and Plating	Brass, Nickel
Body Material and Plating	Brass, Nickel
Dielectric Type	Teflon

**Compliance Certifications** (visit [www.Pasternack.com](http://www.Pasternack.com) for current document)

RoHS Compliant	Yes
----------------	-----

**Plotted and Other Data**

Notes:	Values at 25 °C, sea level
--------	----------------------------

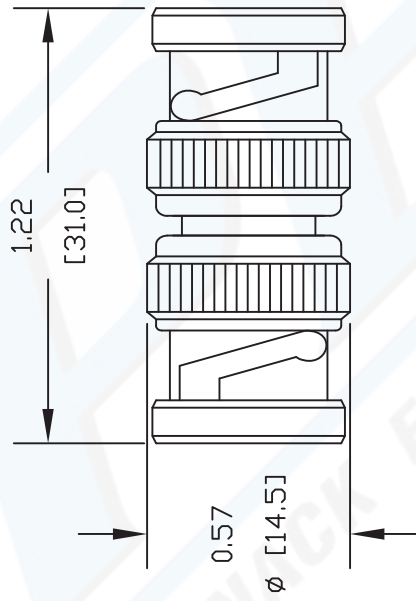
URL: <http://www.pasternack.com/bnc-twinax-plug-bnc-twinax-plug-straight-adapter-pe9376-p.aspx>

BNC Twinax Plug to BNC Twinax Plug Adapter from Pasternack Enterprises has same day shipment for domestic and International orders. Our RF, microwave and fiber optic products maintain a 99% availability and are part of the broadest selection in the industry.

The information contained in this document is accurate to the best of our knowledge and representative of the part described herein. It may be necessary to make modifications to the part and/or the documentation of the part, in order to implement improvements. Pasternack reserves the right to make such changes as required. Unless otherwise stated, all specifications are nominal.



**PE9376 CAD Drawing**  
 BNC Twinax Plug to BNC Twinax Plug Adapter



NOTES:  
 1. UNLESS OTHERWISE SPECIFIED ALL DIMENSIONS ARE NOMINAL.  
 2. ALL SPECIFICATIONS ARE SUBJECT TO CHANGE WITHOUT NOTICE AT ANY TIME.  
 3. DIMENSIONS ARE IN INCHES [mm].

DWG TITLE  
**PE9376**

**PASTERNAK ENTERPRISES, INC.**  
 P O BOX 16759, IRVINE, CA 92623  
 PHONE (949) 261-1920 FAX (949) 261-7451  
 WEB ADDRESS: [www.pasternack.com](http://www.pasternack.com)  
 E-MAIL ADDRESS: [sales@pasternack.com](mailto:sales@pasternack.com)  
**COAXIAL & FIBER OPTICS**



REV. -	FSCM NO. 53919	CAD FILE 091802	SCALE N/A	SIZE A	127
--------	----------------	-----------------	-----------	--------	-----