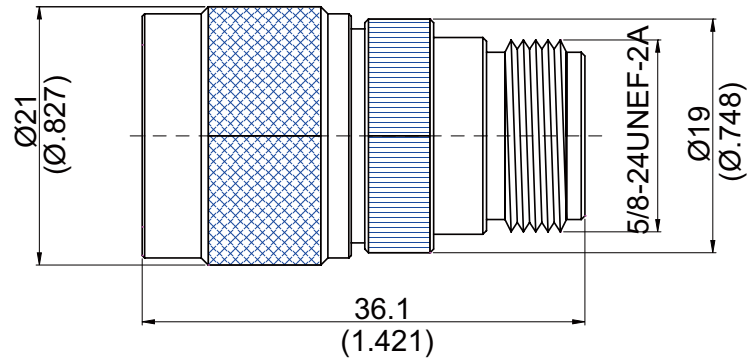


AD-N6N8

N Reverse Polarity Plug TO N Jack 50Ω



Typical VSWR

Part Number	1 GHz	2 GHz	3 GHz	4 GHz	5 GHz	6 GHz	7 GHz	8 GHz	9 GHz
AD-N6N8	1.04	1.04	1.05	1.05	1.12	1.15	1.2	1.25	1.25

Parts	Material	Plating (Micro-inch)
Contact Pin	Beryllium Copper	Gold 10 Over Nickel 50 Over Copper 50
Retainer Ring	Brass	Tin-Zinc-Copper-Alloy 100 Over Copper 50
Gasket	Silicon	
Contact Body	Brass	Tin-Zinc-Copper-Alloy 100 Over Copper 50
Insulator	Teflon	
Body	Brass	Tin-Zinc-Copper-Alloy 100 Over Copper 50
Coupling Nut	Brass	Tin-Zinc-Copper-Alloy 100 Over Copper 50

Weight: 51.66 g

This part number complies with RoHS.

Notice: JYEBAO reserves the right to make modifications deemed appropriate.