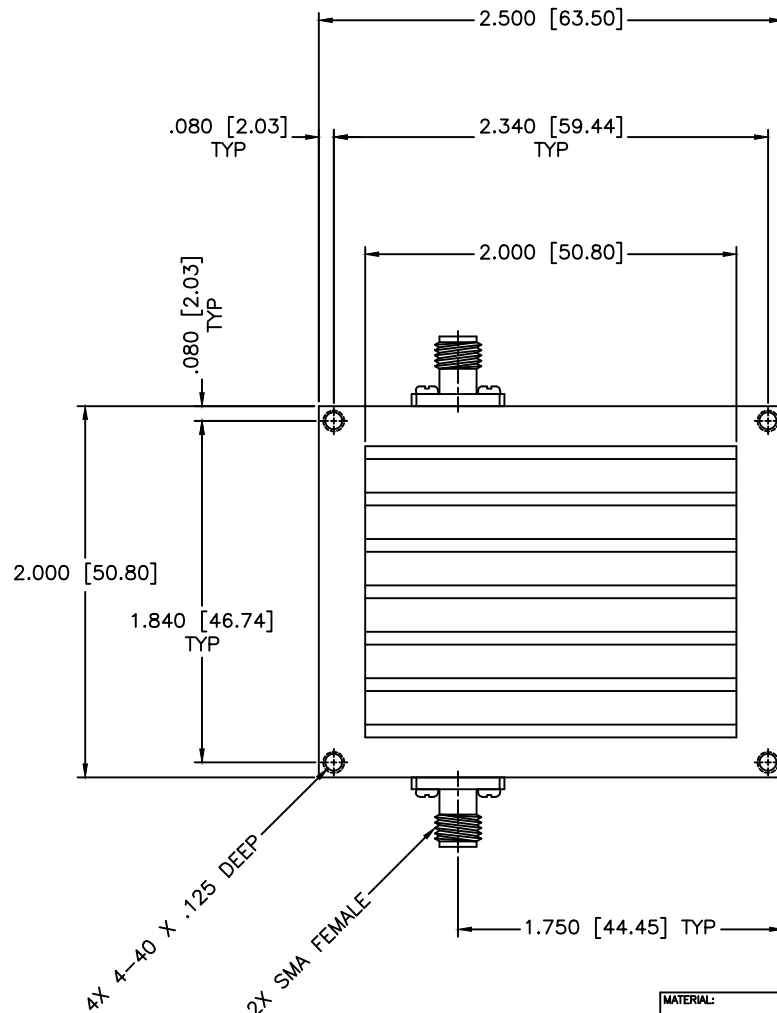
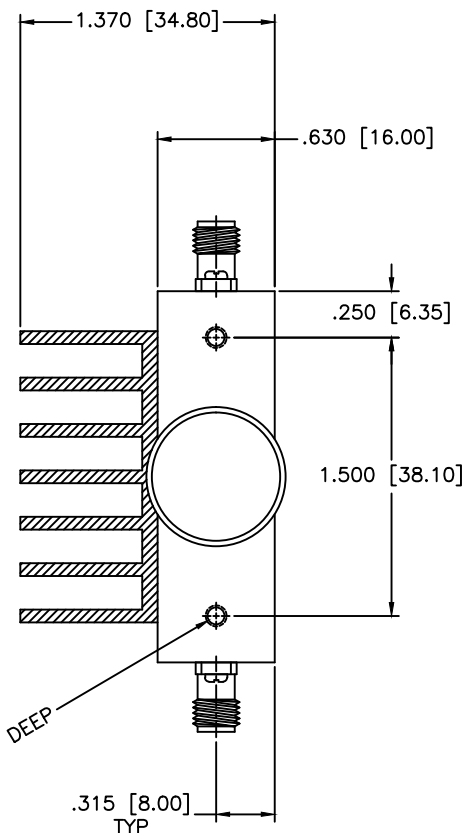
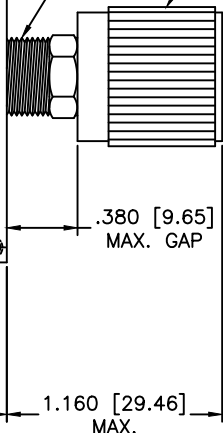


REVISIONS				
ZONE	REV	DESCRIPTION	DATE	APPROVED



THD 3/8-32 HUD
 7/16 SHAFT-LOCKING NUT
 ø.250 INTERNAL SLOTTED SHAFT
 ø.750 [ø.19.05]
 CONTROL KNOB



SPECIFICATION

Frequency Range: 0.9-1.75 GHz
 Attenuation: 10dB
 Insertion Loss: 0.5 Max.
 VSWR: 1.50:1 Max.
 RF Power: 50W Average, 5kW Peak

MATERIAL:	
DRAWN: Paiboon Luekhamhan	DATE: 02-10-2011
APPROVED: T. Nguyen	DATE: 02-10-2011

	MICROWAVE COMMUNICATIONS LABORATORIES INC. 7255 30TH AVE. N. SAINT PETERSBURG, FL 33710 TEL: (727) 344-6254 FAX: (727) 381-6116 http://WWW.MCLI.COM		SCALE: N/A
	UNLESS OTHERWISE SPECIFIED: TOLERANCES IN (INCHES) OR [mm] (MILLIMETERS) FRACTIONS: ± 1/64 DECIMALS: ±.015 ANGLE: ±1/2°		SHEET: N/A
DRAWING TITLE: CONTINUOUSLY VARIABLE ATTENUATOR, HIGH POWER		PART NO. HA50-3-10	
CAGE CODE: OD2L5	SIZE: A	REV: N/A	DWG NO. 85492
DO NOT SCALE THE DRAWING			

THIRD ANGLE PROJECTION