



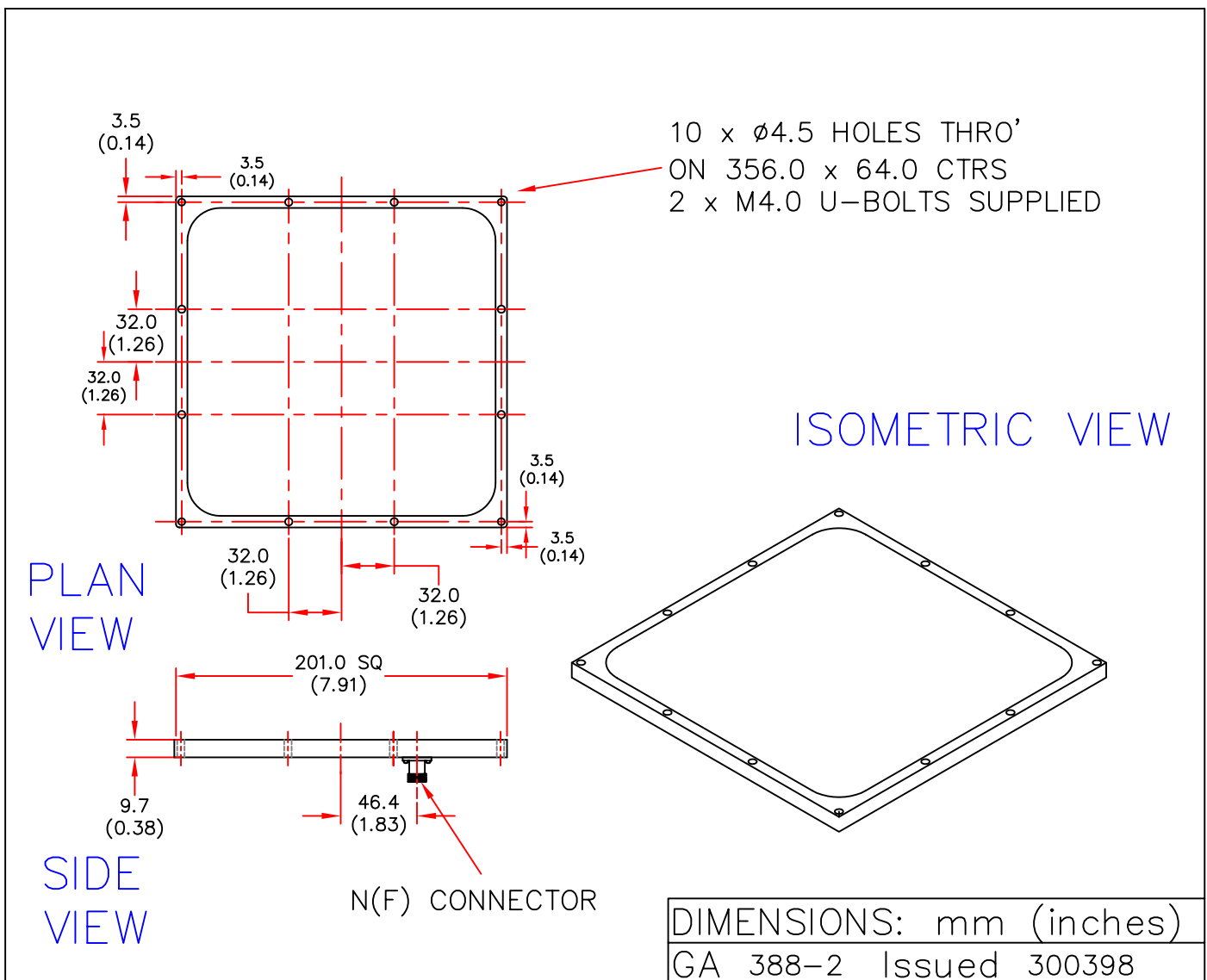
EUROPEAN ANTENNAS



FLAT PANEL ANTENNA

MODEL: FPA19-52V/388

FREQUENCY: 5.15 – 5.35 GHz	GAIN: 17.5 – 18 dBi
POLARISATION: Linear (Vertical)	BEAMWIDTH: 19°(Az) x 18°(Ei)
CROSS POLAR: 20 dB	VSWR: 1.5 : 1
POWER RATING: 5 W	FRONT TO BACK: < 40 dB
TEMPERATURE: -20°C to +50°C	MASS: 0.8 Kg/1.8 lbs
RADOME: Glass Fibre/Gloss White	WIND LOADING: 6.6Kg/14.4lbs@100mph



EUROPEAN ANTENNAS LTD.

TEL: +44 (0)1638 731888

LAMBDA HOUSE, CHEVELEY,
NEWMARKET, SUFFOLK, CB8 9RG,
UNITED KINGDOM.

FAX: +44 (0)1638 731999

European Antennas Ltd. has a policy of continuous development and therefore stress that the data contained on this sheet should be used for guidance only.