



## Reverse Polarity SMA Female to Reverse Polarity SMA Female Bulkhead Adapter

### TECHNICAL DATA SHEET

PE9593

#### Reverse Polarity SMA Female to Reverse Polarity SMA Female Bulkhead Adapter

##### Configuration

Connector 1	SMA Female Reverse Polarity
Impedance 1	50 Ohms
Connector Specification 1	MIL-STD-348
Connector 2	SMA Female Reverse Polarity
Impedance 2	50 Ohms
Connector Specification 2	MIL-STD-348
Adapter Design	Standard
Body Style	Straight
Mount Method	Bulkhead

##### Electrical Specifications

Frequency Range, GHz	DC to 18
Maximum VSWR	1.25:1

##### Mechanical Specifications

###### Size

Length, in [mm]	0.875 [22.23]
Width/Dia., in [mm]	0.375 [9.53]

###### Connector 1

Type	SMA Female Reverse Polarity
Inner Conductor Material and Plating	Beryllium Copper, Gold
Inner Conductor Plating Specification	MIL-G-45204, Type II, Class 2
Body Material and Plating	Passivated Stainless Steel
Body Plating Specification	QQ-P-35
Dielectric Type	Teflon

###### Connector 2

Type	SMA Female Reverse Polarity
Inner Conductor Material and Plating	Beryllium Copper, Gold
Inner Conductor Plating Specification	MIL-G-45204, Type II, Class 2
Body Material and Plating	Passivated Stainless Steel
Body Plating Specification	QQ-P-35
Dielectric Type	Teflon

##### Compliance Certifications (visit [www.Pasternack.com](http://www.Pasternack.com) for current document)

RoHS Compliant	Yes
----------------	-----

Click the following link (or enter part number in "SEARCH" on website) to obtain additional part information including price, inventory and certifications: [Reverse Polarity SMA Female to Reverse Polarity SMA Female Bulkhead Adapter PE9593](#)

The information contained in this document is accurate to the best of our knowledge and representative of the part described herein. It may be necessary to make modifications to the part and/or the documentation of the part, in order to implement improvements. Pasternack reserves the right to make such changes as required. Unless otherwise stated, all specifications are nominal.





Reverse Polarity SMA Female to Reverse  
Polarity SMA Female Bulkhead Adapter

TECHNICAL DATA SHEET

PE9593

**Plotted and Other Data**

Notes:

Values at 25 °C, sea level

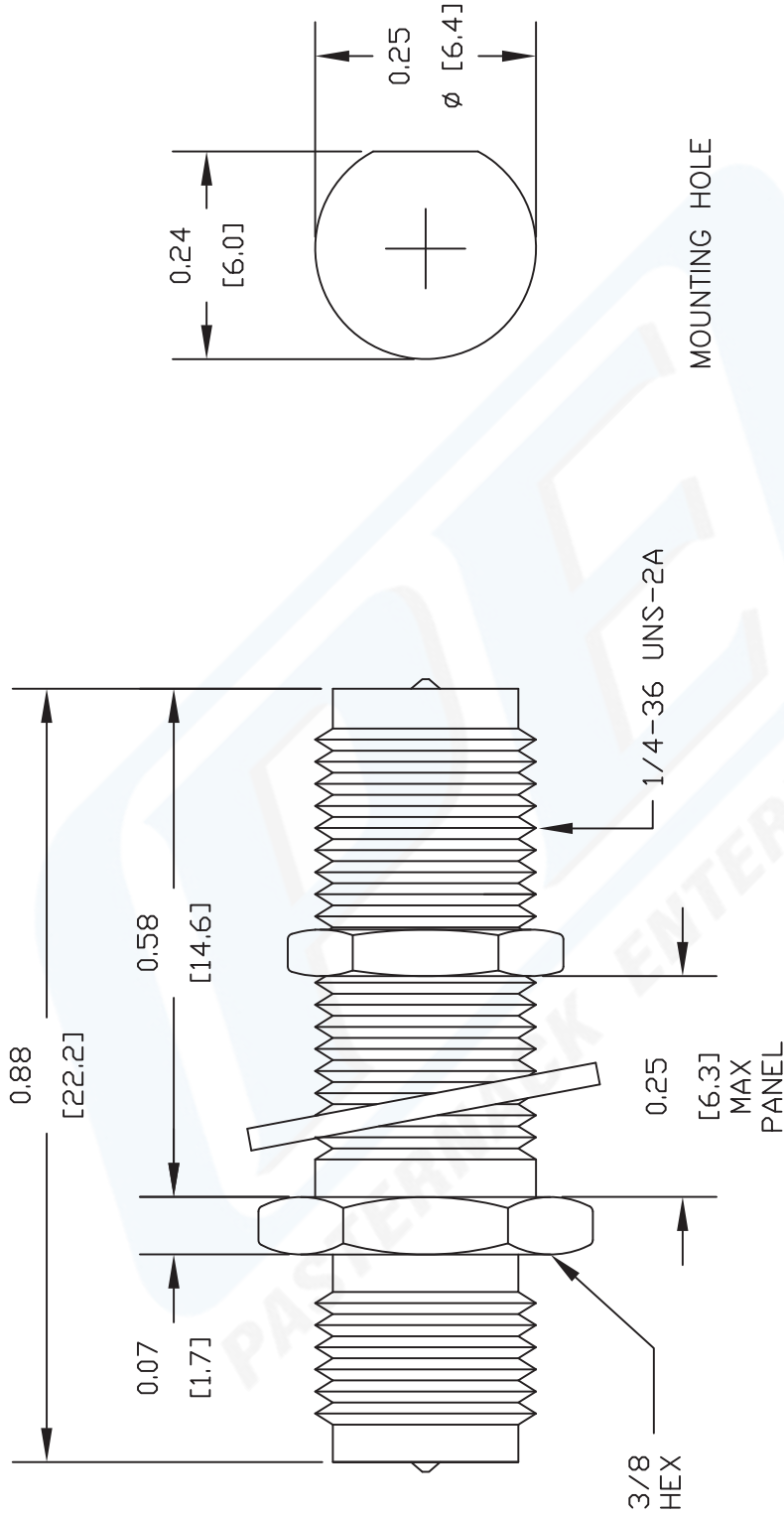
URL: <http://www.pasternack.com/sma-female-sma-female-straight-adapter-pe9593-p.aspx>

Reverse Polarity SMA Female to Reverse Polarity SMA Female Bulkhead Adapter from Pasternack Enterprises has same day shipment for domestic and International orders. Our RF, microwave and fiber optic products maintain a 99% availability and are part of the broadest selection in the industry.

The information contained in this document is accurate to the best of our knowledge and representative of the part described herein. It may be necessary to make modifications to the part and/or the documentation of the part, in order to implement improvements. Pasternack reserves the right to make such changes as required. Unless otherwise stated, all specifications are nominal.

# PE9593 CAD Drawing

Reverse Polarity SMA Female to Reverse Polarity SMA Female Bulkhead Adapter



DWG TITLE

**PE9593**

NOTES:  
 1. UNLESS OTHERWISE SPECIFIED ALL DIMENSIONS ARE NOMINAL.  
 2. ALL SPECIFICATIONS ARE SUBJECT TO CHANGE WITHOUT NOTICE AT ANY TIME.  
 3. DIMENSIONS ARE IN INCHES [mm].

**PASTERNAK ENTERPRISES, INC.**

PO BOX 16759, IRVINE, CA 92623  
 PHONE (949) 261-1920 FAX (949) 261-7451

WEB ADDRESS: [www.pasternack.com](http://www.pasternack.com)  
 E-MAIL ADDRESS: [sales@pasternack.com](mailto:sales@pasternack.com)

**COAXIAL & FIBER OPTICS**



ESTABLISHED 1972

FSCM NO. 53919

CAD FILE 100202

SCALE N/A

SIZE A

127