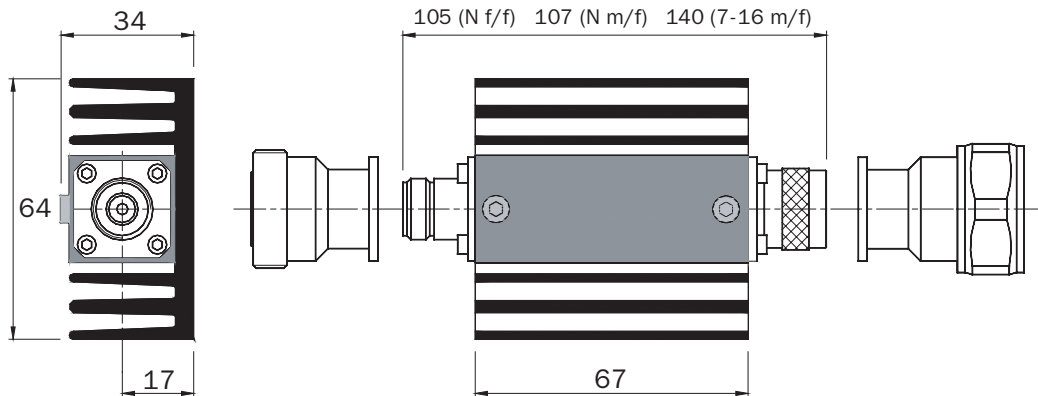
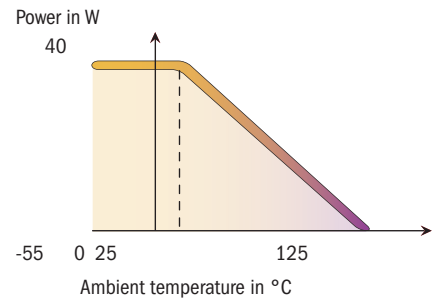




Standards
NF C 96-315
MIL-DTL-3933



Impedance	50 Ω ± 5%
Frequency	DC - 2.5 GHz
Max VSWR	≤ 1.20 at 1 GHz, ≤ 1.30 at 2 GHz
Temperature range	-55 to +125°C
Average power @ 25°C	40 W
Weight	440 g



Dimensions in mm

Attenuation (dB)	P/N (N m/f)	P/N (N f/f)	P/N (7-16 m/f)	Accuracy* ±Δα (dB)
3	16-4468	16-4987	16-6614	0.3
6	16-4467	16-4988	16-6615	0.3
10	16-4466	16-4989	16-6616	0.5
20	16-4459	16-4643	16-6617	0.5
30	16-4992	16-4990	16-6618	1
40	16-4993	16-4991	16-6619	1

* at 2 GHz

Others attenuations on request