



# EUROPEAN ANTENNAS

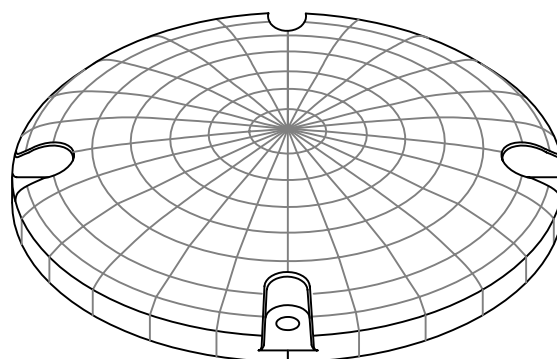


## LOW PROFILE ANTENNA

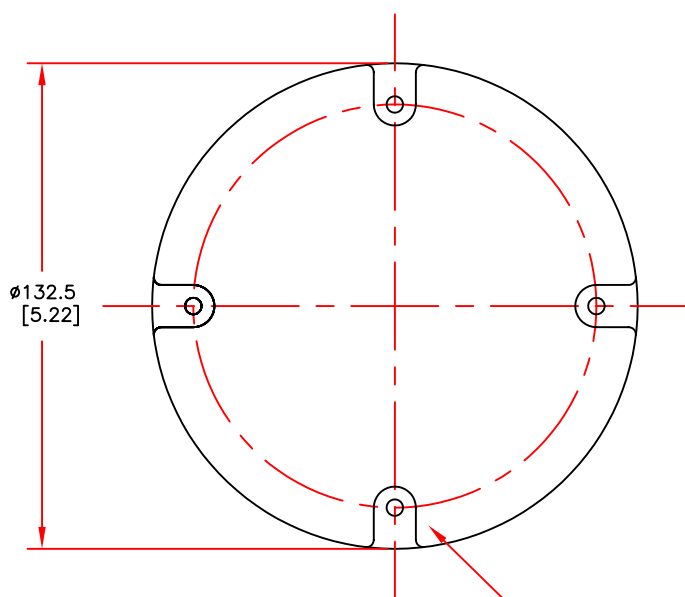
MODEL: LPA7-1394V-TNC(F)/501

FREQUENCY: 1.36-1.44GHz	GAIN: 8 dBi
POLARISATION: Linear (Vertical)	BEAMWIDTH: 86° x 72°
CROSS POLAR: 18dB	VSWR: 1.5 : 1
POWER RATING: 5W	FRONT TO BACK: 14 dB
TEMPERATURE: -20°C to +50°C	MASS: 250 g/9 oz
RADOME: Rigid Moulded Polymer	WIND LOADING: 2.2Kg/4.9lbs @100mph

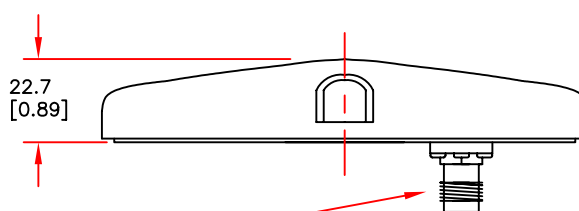
ISOMETRIC VIEW



PLAN VIEW



SIDE VIEW



TNC (F) CONNECTOR

MOUNTING VIA 4 X  $\phi 4.5$  (0.18")  
HOLES EQUALLY SPACED ON A  
110mm (4.33") PCD

DIMENSIONS: in mm (inches)

GA 501-2 Issued 270104

EUROPEAN ANTENNAS LTD.

LAMBDA HOUSE, CHEVELEY,  
NEWMARKET, SUFFOLK, CB8 9RG,  
HALSTEAD ESSEX CO9 4HN

TEL: +44 (0)1638 731888

FAX: +44 (0)1638 731999

European Antennas Ltd has a policy of continuous development and therefore stress that the data contained on this sheet should be used for guidance only.