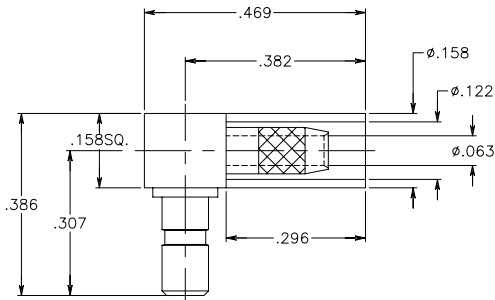
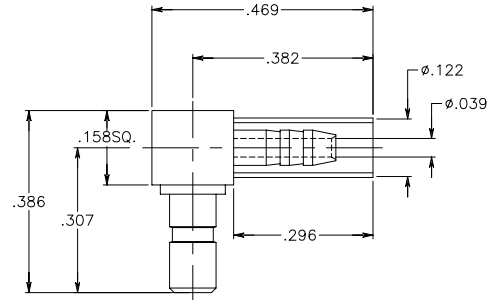


**(LG-316)**



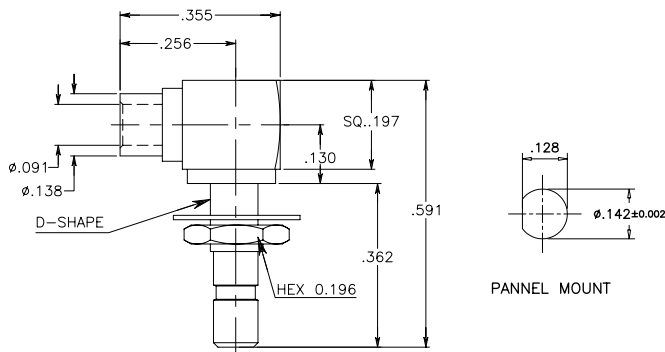
**PART #**  
SSMB-2000-1001

**(R/A-Jack)  
For Cable RG178**



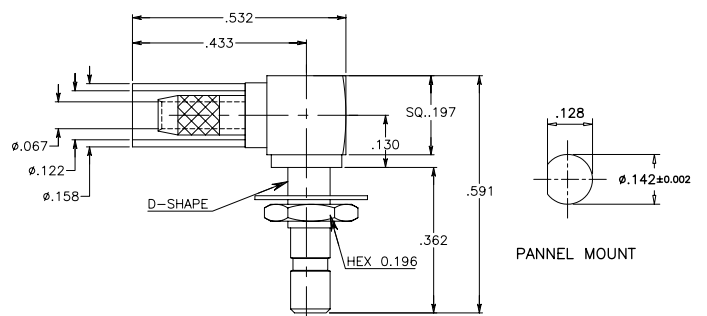
**PART #**  
SSMB-2000-1003

**(LBJ-085)**



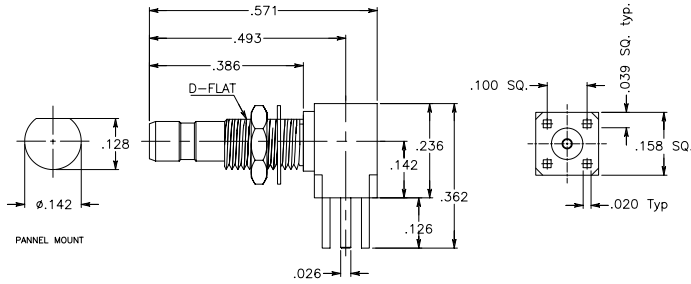
**PART #**  
SSMB-2000-1002

**(LBJ-316)**



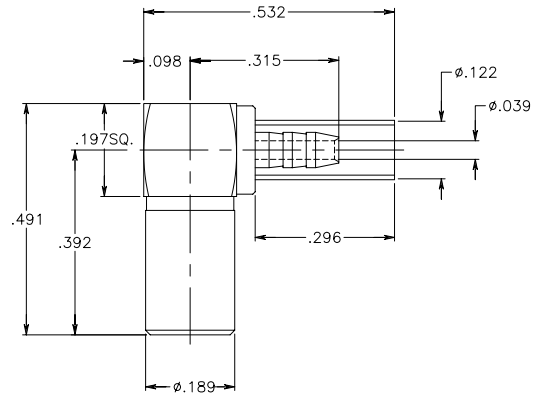
**PART #**  
SSMB-2000-1004

**(R/A PCB Jack)**



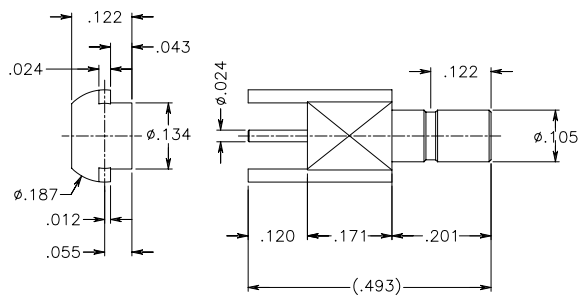
**PART #**  
SSMB-2000-1005

**(Right Angle Plug)  
For Cable RG178**



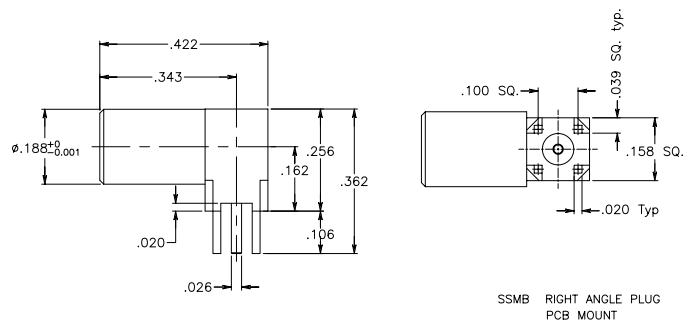
**PART #**  
SSMB-2000-2001

**(PCB Jack)**



**PART #**  
SSMB-2000-1006

**(R/A PCB Plug)**



**PART #**  
SSMB-2000-2002

SSMB RIGHT ANGLE PLUG  
PCB MOUNT