

Passband 1: 1900 to 1920 MHz

Diplexer (BP/BP)

Passband 1 Isolation: 50 dB

Passband 2: 2010 to 2025 MHz

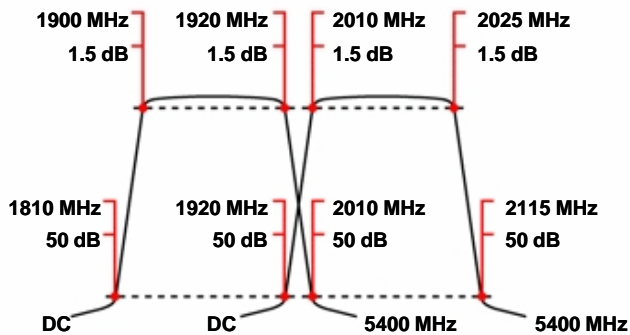
WDCGV4+4-1900-1920/2010-2025-50

Passband 2 Isolation: 50 dB

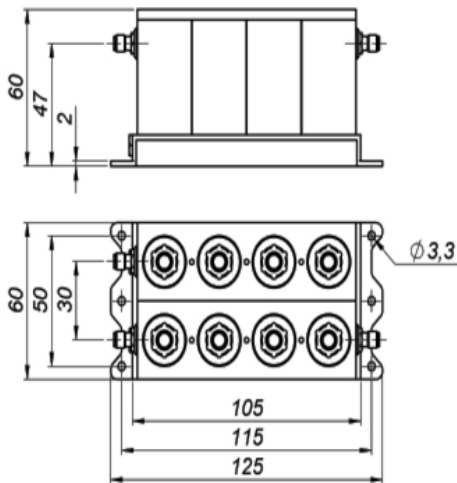
Specifications

	Band 1 (Bandpass)	Band 2 (Bandpass)
Passbands:	1900 to 1920 MHz	2010 to 2025 MHz
Passband Insertion Loss:	1.5 dB max.	1.5 dB max.
Passband Return Loss:	14 dB min.	14 dB min.
Stopbands:	DC-1810 & 2010-5400 MHz	DC-1920 & 2115-5400 MHz
Stopband Attenuation:	50 & 50 dB min.	50 & 50 dB min.
Operating Temperature:	15 °C to 45 °C	
Power Handling:	max. 25 W CW into a 2:1 VSWR (Please see our warranty in this regard)	
Dimensions (L x W x H):	105 x 60 x 60 mm (plus connectors and flanges)	
Approx. Weight:	0.9 kg	
Mounting Provision:	10 mm flanges on both ends with 3.3 mm holes	
Connector Common:	- Please choose -	
Connector Band 1:	- Please choose -	
Connector Band 2:	- Please choose -	

Typical Performance



4+4 Section Cavity Design



©2013 Wainwright Instruments. All rights reserved.

Euro Prices

(USD Prices will be quoted for US-based customers only)

1 - 4 pcs:	€ 1000
5 - 9 pcs:	€ 925
10 - 24 pcs:	€ 856

Delivery Terms

FCA Andechs (free carrier) according to **Incoterms 2010**
 In Deutschland liefern wir frachtfrei gemäß CPT **Incoterms 2010** (unversichert).
 Regarding payment terms and warranty see [Terms and Conditions](#).
Delivery time: normally 3 to 4 weeks - depending on quantity ordered and on our work load.

Customer is responsible for observing all applicable export laws in regard to filter application and location of end user



Wainwright Instruments GmbH
www.wainwright-filters.com

Tel: +49 8152 918230
 Fax: +49 8152 918255
info@wainwright-filters.com