

SERIES ANC RESISTORS, TERMINATIONS

High Power Chip, Aluminum Nitride – 50 & 100 Ohms

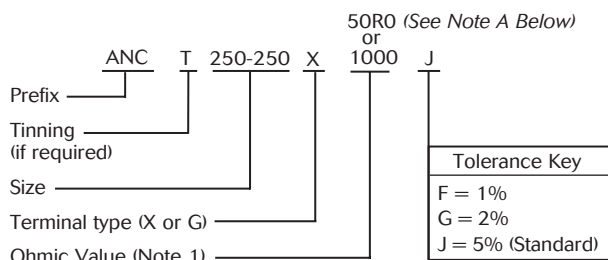


GENERAL INFORMATION

When mounted on an appropriate heat sink, these chip devices provide high power dissipation in terminations and as balancing resistors in Wilkinson power divider networks. Laser trimming provides maximum R.F. power capability. Aluminum nitride is used for those applications where the use and disposal of beryllium oxide is a concern.

ORDERING INFORMATION

EXAMPLE: Typical Model No.



NOTE A

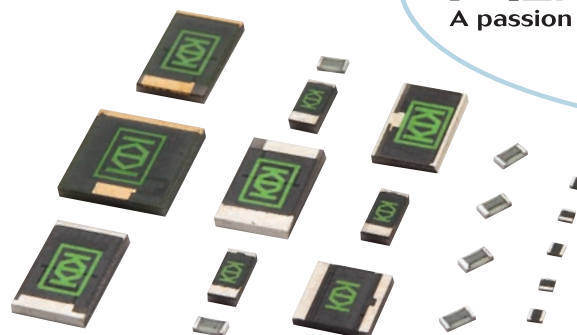
Resistance value is expressed using military 4-digit call-out.

50R0 = 50 ohms

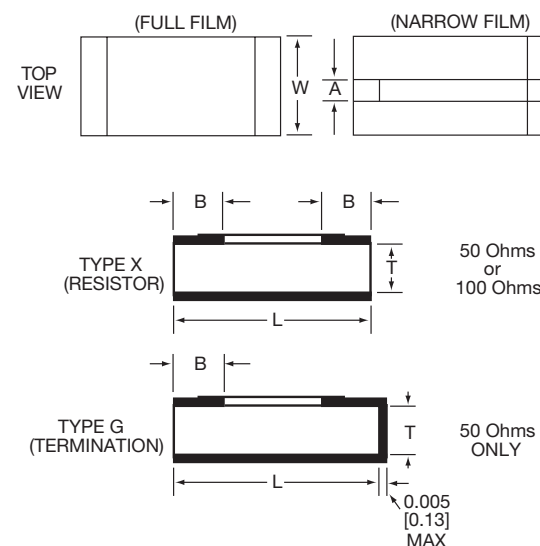
1000 = 100 ohms

Other values from 10–500 ohms may be available as special order.

Contact factory for availability.



PHYSICAL DIMENSIONS



GENERAL SPECIFICATIONS

Solderable Terminals	Electroplated Silver over Nickel
Substrate	Aluminum Nitride
Resistive Element	Thin Film

PERFORMANCE SPECIFICATIONS

Model Prefix	W in [mm]	L in [mm]	T in [mm]	A in [mm]	B in [mm]	Capacitance (pF) Typical	Termination VSWR Typical	Power CW	FREQ. GHz
ANC 50-50	0.050 [1,27]	0.050 [1,27]	0.010 [0,25]	N/A	0.010 [0,25]	0.5	1.25	5	DC-4.0
ANC 50-100	0.050 [1,27]	0.100 [2,5]	0.010 [0,25]	N/A	0.020 [0,51]	1.0	1.25	10	DC-2.0
ANC 100-200	0.100 [2,5]	0.200 [5,1]	0.040 [1,02]	N/A	0.030 [0,76]	1.0	1.25	10	DC-4.0
ANC 200-200	0.200 [5,1]	0.200 [5,1]	0.040 [1,02]	0.085 [2,2]	0.040 [1,02]	1.2	1.25	30	DC-4.0
ANC 250-250-40	0.250 [6,4]	0.250 [6,4]	0.040 [1,02]	0.085 [2,2]	0.050 [1,27]	1.0	1.15	40	DC-2.5
ANC 250-250-80	0.250 [6,4]	0.250 [6,4]	0.040 [1,02]	N/A	0.050 [1,27]	1.6	1.25	80	DC-1.0
ANC 250-375	0.250 [6,4]	0.375 [9,5]	0.040 [1,02]	N/A	0.050 [1,27]	4.5	1.25	125	DC-1.0
ANC 350-225	0.350 [8,9]	0.225 [5,7]	0.040 [1,02]	0.045 [1,14]	0.050 [1,27]	1.4	1.25	100	DC-2.0
ANC 375-375	0.375 [9,5]	0.375 [9,5]	0.040 [1,02]	0.250 [6,4]	0.050 [1,27]	4.5	1.25	200	DC-1.0

KEY: Inches [Millimeters] .XX ±0.03 .XXX ±0.010 LX ±0.8 .XX ±0.25I



60 South Jefferson Road, Whippany, NJ 07981
Tel: 973-887-8100 • Fax: 973-884-0445
www.aeroflex-kdi.com • sales@aeroflex-kdi.com

