

Terminations & Loads



Models 1474 SMK Connectors Conduction Cooled

dc to 40.0 GHz
5 Watts



Features

- /// **Compact Construction** - Lowest size/power ratio.
- /// **Rugged Construction** - Quality connector with special high temperature support bead.
- /// **Ideal for Space & Airborne Applications**

Specifications

NOMINAL IMPEDANCE: 50 Ω

FREQUENCY RANGE: dc to 40.0 GHz

MAXIMUM SWR:	
Frequency (GHz)	SWR
dc - 26.5	1.25
26.5 - 40	1.45

POWER RATING: 5 watts **average** with case temperature limited to 100 °C with appropriate conductive heat sink. 200 watts **peak** (5 μsec pulse width; 1.25% duty cycle).

TEMPERATURE COEFFICIENT: <0.0004 dB/dB/°C

TEMPERATURE RANGE: -55 °C to 100 °C (case)

TEST DATA: Swept data plots of attenuation and SWR

from 50 MHz to 40 GHz is available at additional cost.

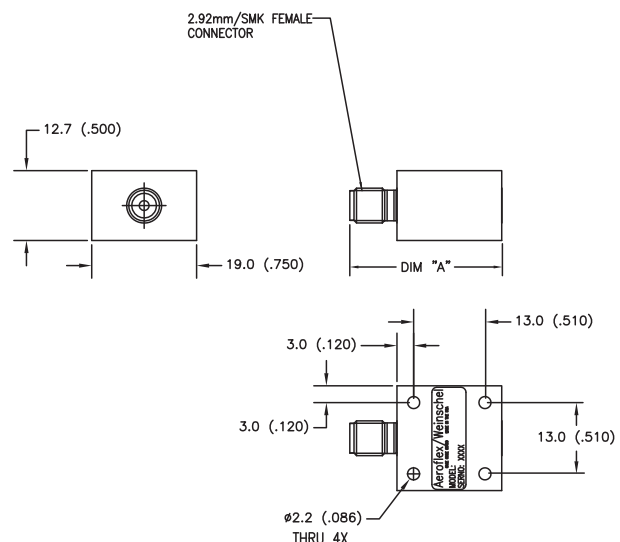
CONNECTORS: SMK (2.92mm) Male/Female connectors - mate nondestructively with SMA per MIL-C-39012, 3.5mm and other 2.92mm connectors.

Connector Options	Type/Description
1	SMK, Female
2	SMK, Male

CONSTRUCTION: Aluminum body, gold plated beryllium copper contacts.

WEIGHT: 17 g (0.6 oz.) maximum

PHYSICAL DIMENSIONS:



NOTE: All dimensions are given in mm (inches) and are maximum, unless otherwise specified.