



EUROPEAN ANTENNAS



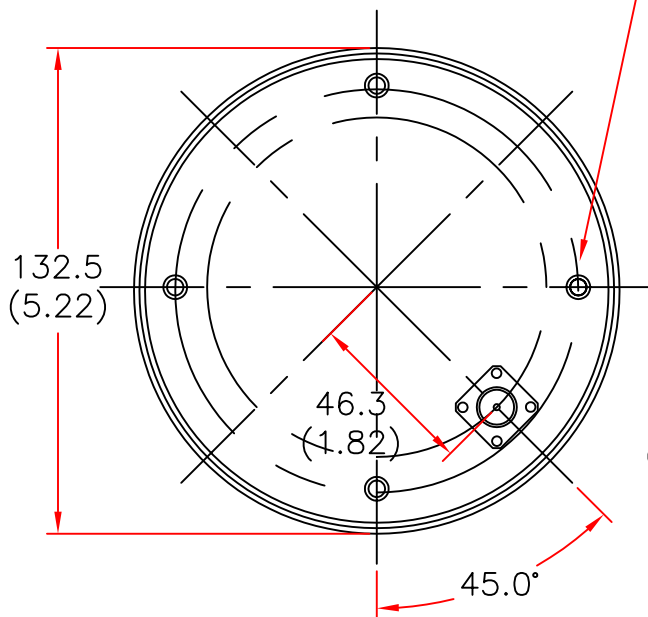
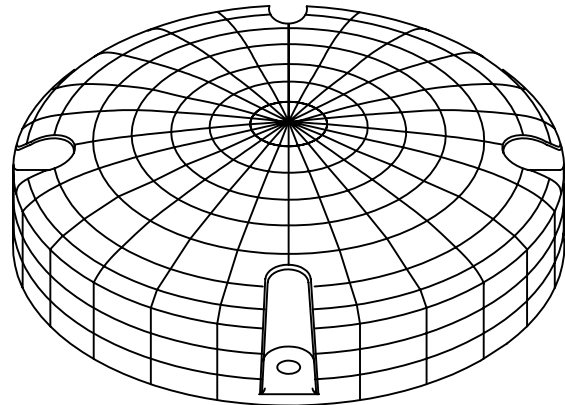
LOW PROFILE ANTENNA

MODEL: LPA7-1550R-D2/380

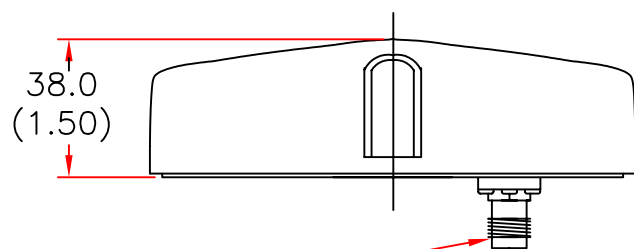
FREQUENCY: 1.52 - 1.58 GHz	GAIN: 7 dBiC
POLARISATION: R.H.Circular	BEAMWIDTH: 80° x 80° APPROX
AXIAL RATIO: 3 dB Typical	VSWR: 1.5 : 1
POWER RATING: N/A Rx Only	FRONT TO BACK: > 30 dB
TEMPERATURE: -20°C to +50°C	MASS: 265 g/9.5 oz
RADOME: White Moulded Polymer	WIND LOADING: 2.2Kg/4.9lbs @100mph

ISOMETRIC VIEW

MOUNTING VIA 4 X $\phi 4.5$
(0.18") HOLES EQUALLY SPACED
ON 110mm (4.33") PCD



SIDE VIEW



TNC CONNECTOR

BASE VIEW

DIMENSIONS: in mm

GA 380-1 Issued 240198

TEL: +44 (0)1638 731888

EUROPEAN ANTENNAS LTD.
LAMBDA HOUSE, CHEVELEY,
NEWMARKET, SUFFOLK, CB8 9RG,
HALSTEAD ESSEX CO9 4HN

FAX: +44 (0)1638 731999

European Antennas Ltd has a policy of continuous development and therefore stress that the data contained on this sheet should be used for guidance only.