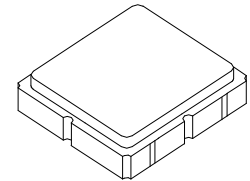


- High Performance SAW Filter
- 3.8 x 3.8 x 1.4 mm Surface-mount Package
- Complies with Directive 2002/95/EC (RoHS)



SF2223D

**184.32 MHz
SAW Filter**



SM3838-8

Absolute Maximum Ratings

Rating	Value	Units
Maximum Incident Power in Passband	+10	dBm
Maximum DC Voltage Between any Two Active Terminals	30	VDC
Storage Temperature Range in Tape and Reel	-40 to +85	°C
Suitable for Lead-free Soldering - Maximum Soldering Profile	260 °C for 30 s	

Electrical Characteristics

Characteristic	Sym	Notes	Min	Typ	Max	Units
Nominal Center Frequency	f_c			184.32		MHz
Minimum Insertion Loss	IL_{MIN}			8.5	10.0	dB
1 dB Bandwidth	BW_1		30	32		MHz
Amplitude Ripple, 169.32 to 199.32 MHz				0.6	1.0	dB _{P-P}
Group Delay Ripple, 169.32 to 199.32 MHz				18	50	ns _{P-P}
Rejection referenced to IL_{MIN} :						dB
1.00 to 137.88 MHz			45	60		
149.32 MHz			16.5	60		
219.32 MHz			16.5	60		
261.48 to 600.00 MHz			45	50		

Case Style	SM3838-8 3.8 x 3.8 mm Nominal Footprint					
Lid Symbolization, Y=year, WW=week, S=shift, Dot=pin 1 indicator	959, YWWS					
Standard Reel Quantity	Reel Size 7 Inch					500 Pieces/Reel
	Reel Size 13 Inch					3000 Pieces/Reel

Electrical Connections

Connection	Terminals
Balanced Input Option	1 and 2
Single-ended Input Option	1
Output	5
Case Ground	All others

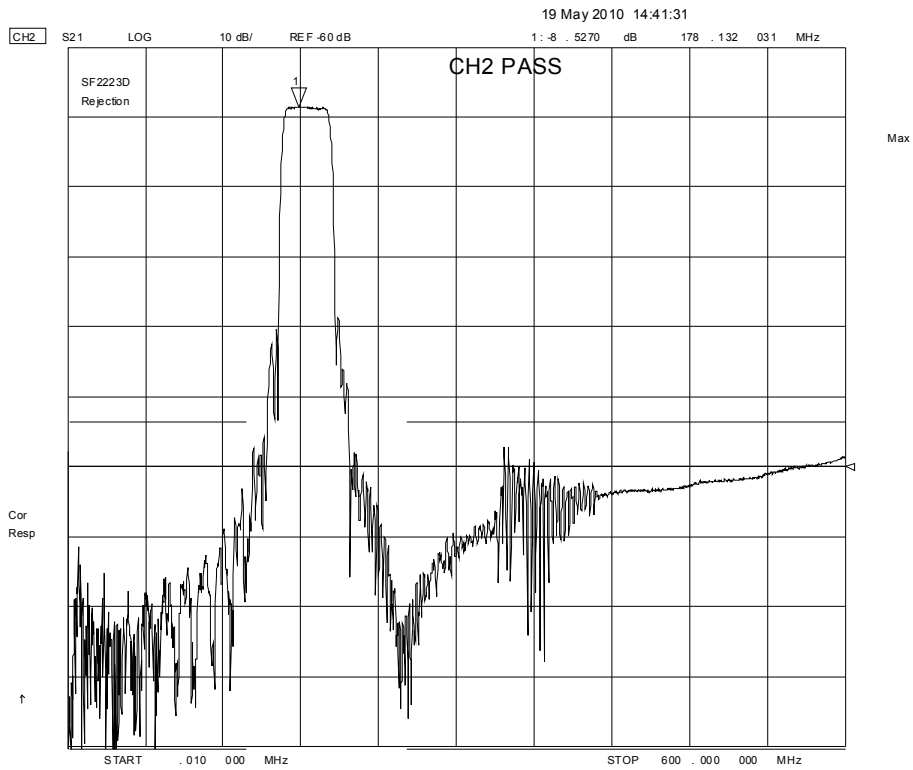
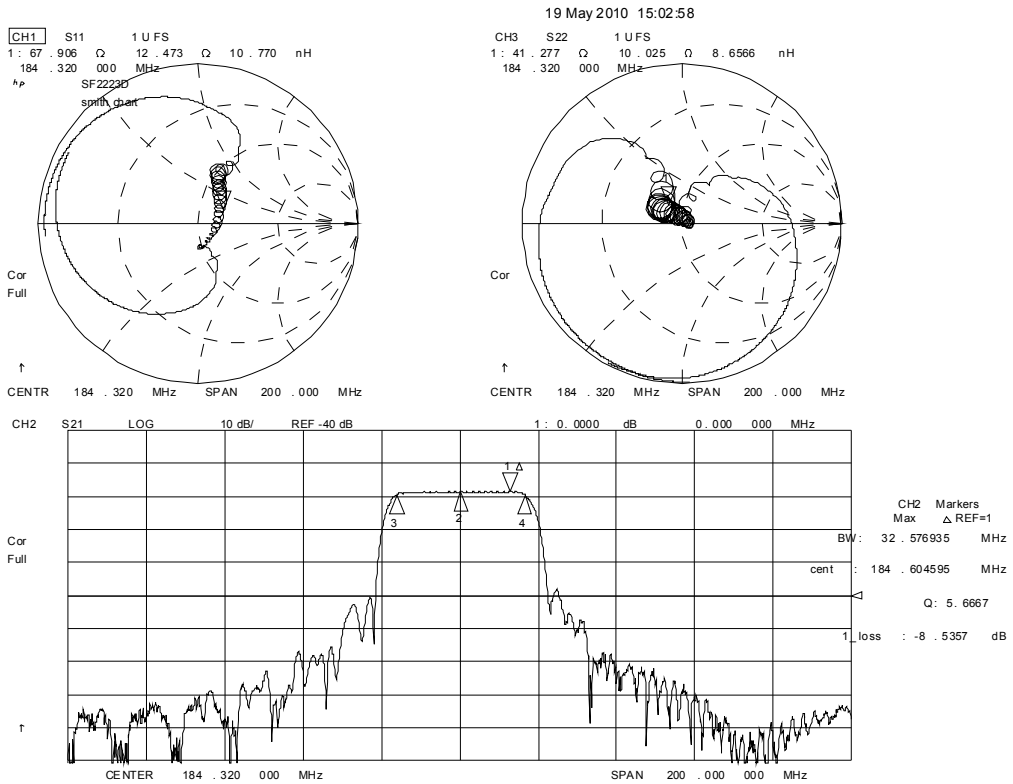


CAUTION: Electrostatic Sensitive Device. Observe precautions for handling.

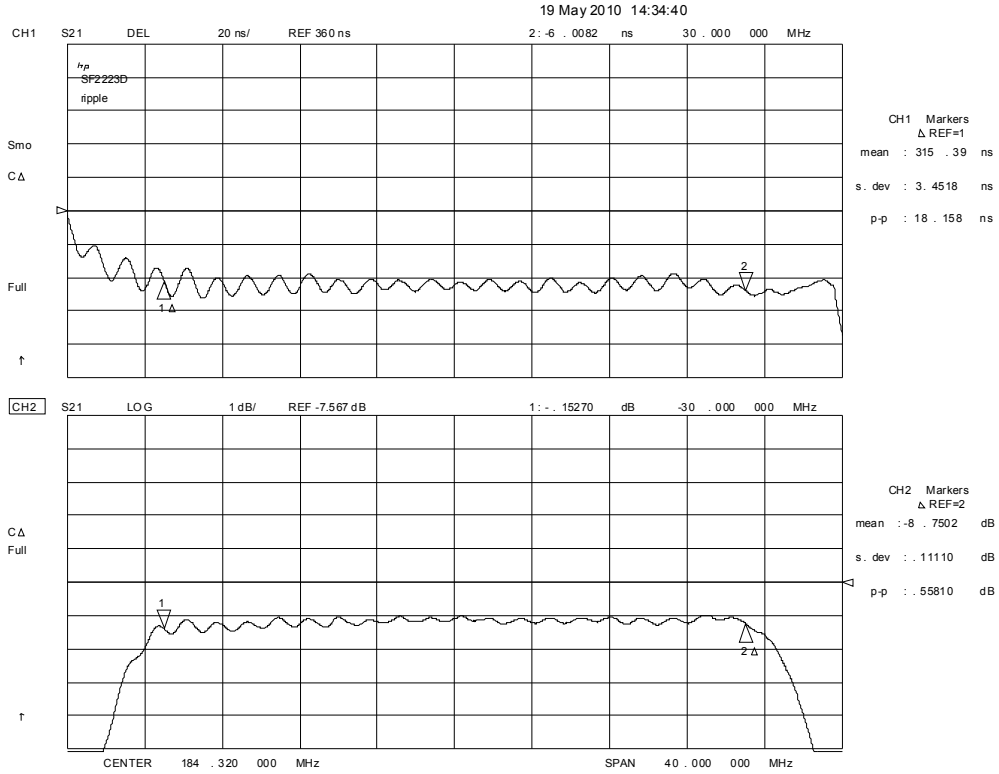
NOTES:

1. Unless noted otherwise, all specifications apply over the operating temperature range with filter soldered to the specified demonstration board with impedance matching to 50 Ω and measured with 50 Ω network analyzer.
2. Unless noted otherwise, all frequency specifications are referenced to the nominal center frequency, f_c .
3. Rejection is measured as attenuation below the minimum IL point in the passband. Rejection in final user application is dependent on PCB layout and external impedance matching design. See Application Note No. 42 for details.
4. "LRIP" or "L" after the part number indicates "low rate initial production" and "ENG" or "E" indicates "engineering prototypes."
5. The design, manufacturing process, and specifications of this filter are subject to change.
6. Either Port 1 or Port 2 may be used for either input or output in the design. However, impedances and impedance matching may vary between Port 1 and Port 2, so that the filter must always be installed in one direction per the circuit design.
7. US and international patents may apply.
8. Murata, stylized Murata logo, and Murata N.A., Inc. are registered trademarks of Murata Manufacturing Co., Ltd.

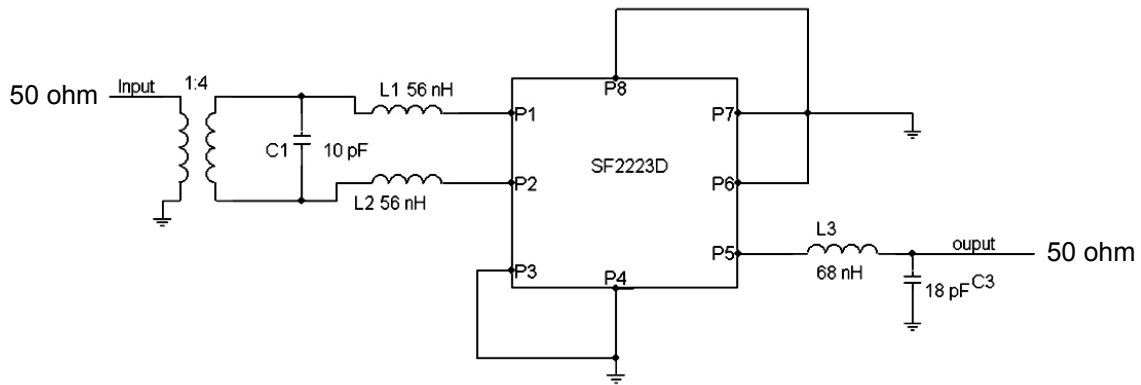
Filter Amplitude and Impedance Plots for Balanced Input



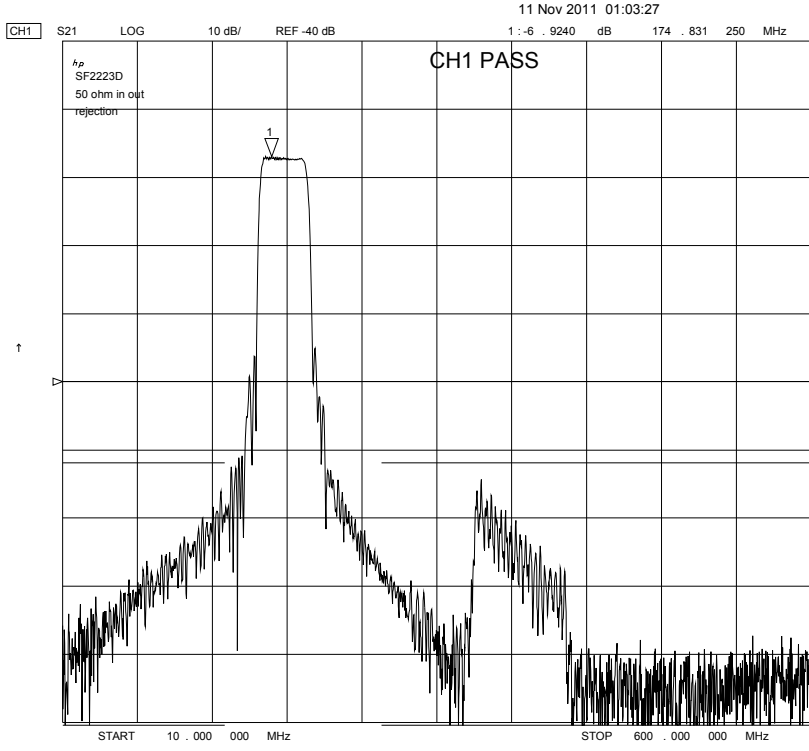
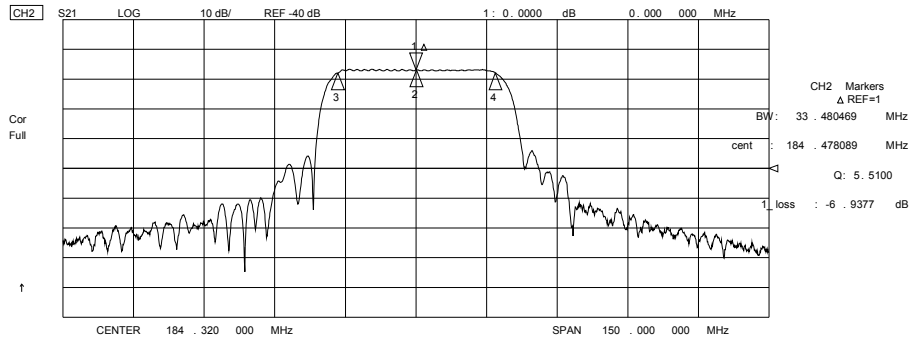
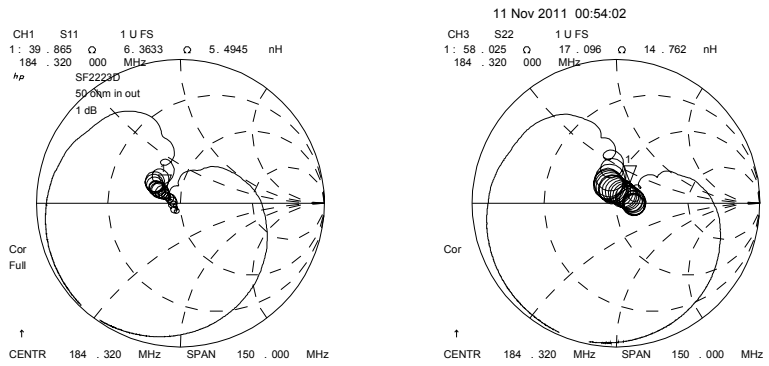
Filter Passband Group Delay and Amplitude Plots for Balanced Input



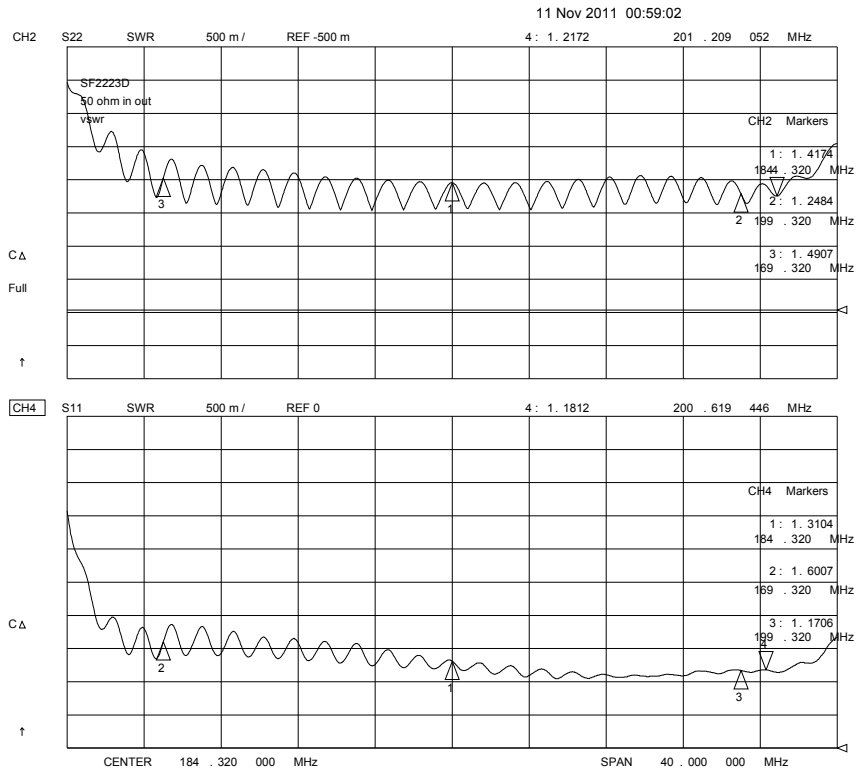
Balanced Input Filter Test Circuit



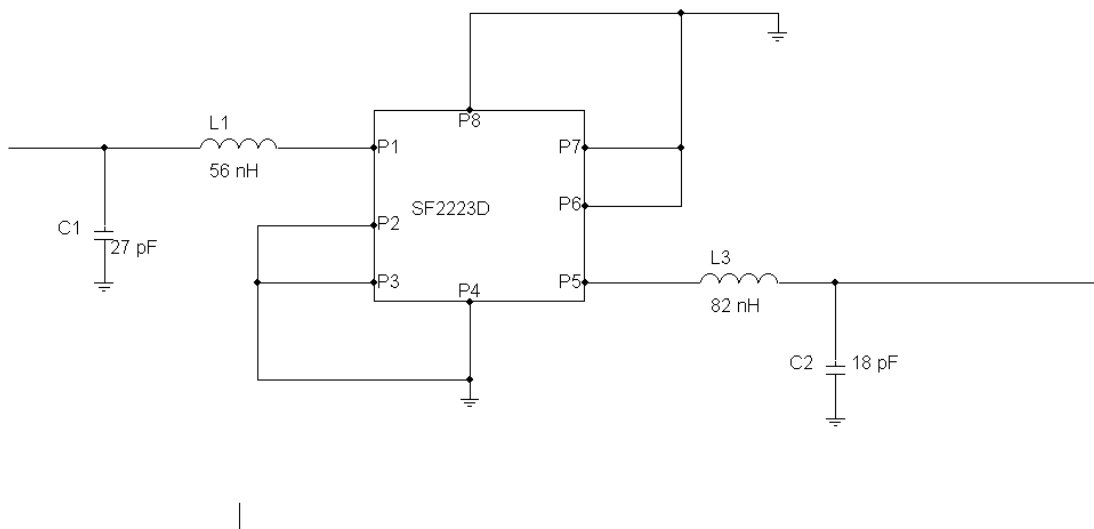
Filter Amplitude and Impedance Plots for Single-ended Input



Filter Passband Group Delay and Amplitude Plots for Single-ended Input

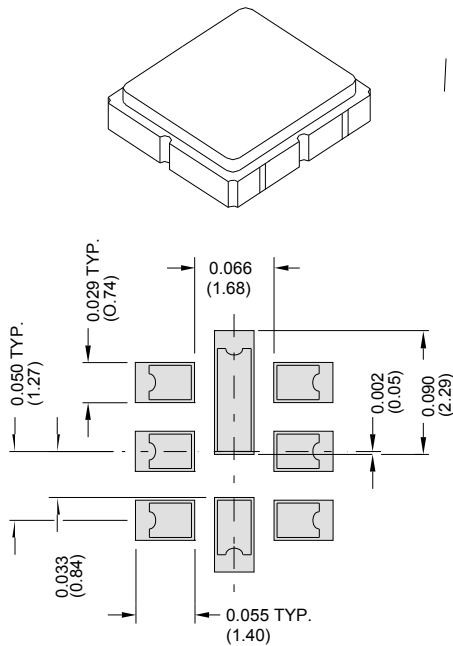


Single-ended Input Filter Test Circuit



SM3838-8 Case

8-Terminal Ceramic Surface-Mount Case 3.8 X 3.8 mm Nominal Footprint



PCB Footprint

Case Dimensions

Dimension	mm			Inches		
	Min	Nom	Max	Min	Nom	Max
A	3.6	3.8	4.0	0.142	0.150	0.157
B	3.6	3.8	4.0	0.142	0.150	0.157
C	1.05	1.20	1.35	0.041	0.047	0.053
D	0.95	1.10	1.25	0.037	0.043	0.049
E	0.90	1.00	1.10	0.035	0.040	0.043
F	0.50	0.60	0.70	0.020	0.024	0.028
G	2.39	2.54	2.69	0.090	0.100	0.110
H	1.40	1.75	2.05	0.055	0.069	0.080

Electrical Connections

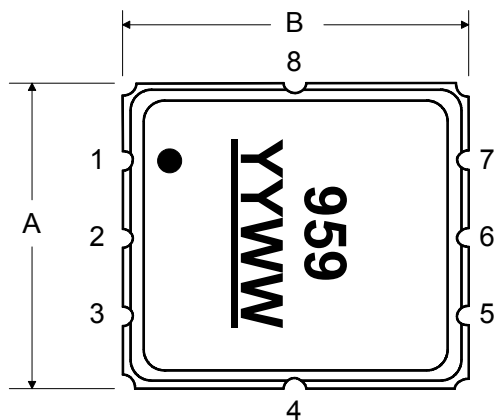
	Connection	Terminals
Port 1	Balanced Input	1,2
Port 2	Single-ended Output	5
	Ground	All Others

Dot Indicates Pin 1

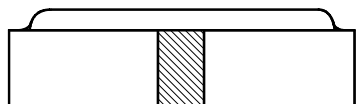
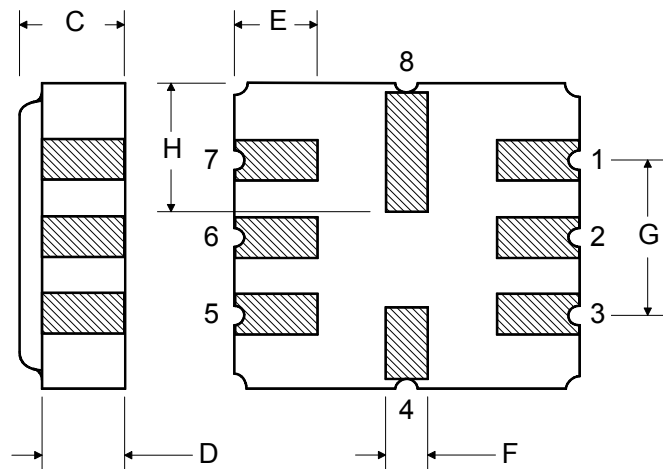
Materials

Solder Pad Plating	0.3 to 1.0 μm Gold over 1.27 to 8.89 μm Nickel
Lid Plating	2.0 to 3.0 μm Nickel
Body	Al_2O_3 Ceramic
Pb Free	

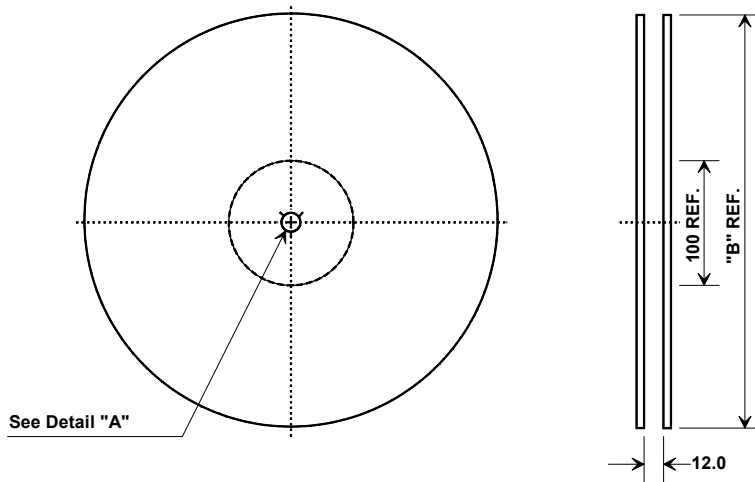
TOP VIEW



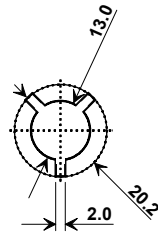
BOTTOM VIEW



Tape and Reel Specifications



"B "		Quantity Per Reel
Inches	millimeters	
7	178	500
13	330	3000



COMPONENT ORIENTATION and DIMENSIONS

Carrier Tape Dimensions	
Ao	4.25 mm
Bo	4.25 mm
Ko	1.30 mm
Pitch	8.0 mm
W	12.0 mm

