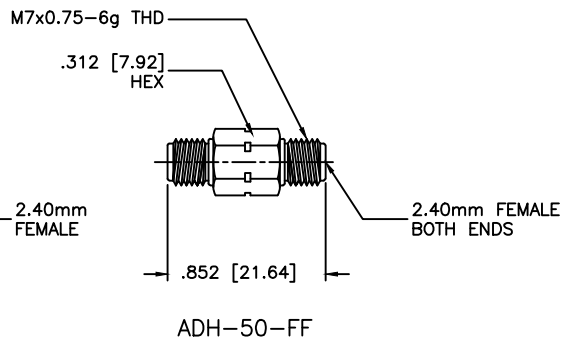
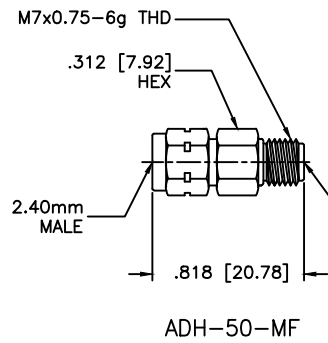
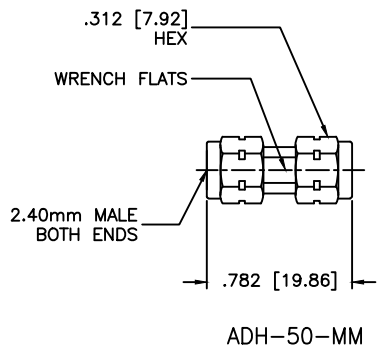


| REVISIONS | | | | |
|-----------|-----|-------------|------|----------|
| ZONE | REV | DESCRIPTION | DATE | APPROVED |



General Specifications

- Impedance: 50 Ohms
- VSWR: 1.10:1 Max. @ DC-27GHz
- VSWR: 1.15:1 Max. @ 27-40GHz
- VSWR: 1.20:1 Max. @ 40-50GHz
- Frequency: DC-50 GHz
- Connectors: Passivated Stainless Steel
- Contacts: Beryllium Copper Gold Plated
- Insulator: Teflon
- Temperature Rating: -55°C to +135°C

| | | | | | |
|-----------------------------|--|---|--|---------------------------------------|--------------------------------------|
| MATERIAL: | | | MICROWAVE COMMUNICATIONS LABORATORIES INC. 7255 30TH AVE. N. SAINT PETERSBURG, FL 33710 TEL: (727) 344-6254 FAX: (727) 381-6116 http://WWW.MCLI.COM | | SCALE: N/A |
| | | | UNLESS OTHERWISE SPECIFIED: TOLERANCES IN (INCHES) OR [mm] (MILLIMETERS) FRACTIONS: ± 1/64 DECIMALS: ±.01 ±.005 ANGLE: ±1/2° | | SHEET: N/A |
| DRAWN: Paiboon Luengkhamhan | | DATE: 08-29-2011 | | DRAWING TITLE: 2.40mm SERIES ADAPTERS | |
| APPROVED: T. Nguyen | | DATE: 08-29-2011 | | PART NO. ADH-50 | |
| | | PROPRIETARY NOTICE: THE INFORMATION IN THIS DRAWING IS PROPRIETARY AND SHALL NOT BE USED OR DISCLOSED WITHOUT WRITTEN PERMISSION FROM MICROWAVE COMMUNICATIONS LABORATORIES INC. (MCLI) | | CAGE CODE: OD2L5 | SIZE: A REV: N/A DWG NO. 85876 |
| | | | | DO NOT SCALE THE DRAWING | |