

SINGLE POLE MULTI THROW

SP3T ~ SP6T Failsafe



The Single Pole Multi Throw (SPMT) is a coaxial switch designed to switch a microwave signal from a common input to multiple outputs. The individual actuator mechanism allows random position selection. Failsafe, latching and normally open actuator is available. See the Model Numbering System for other options.

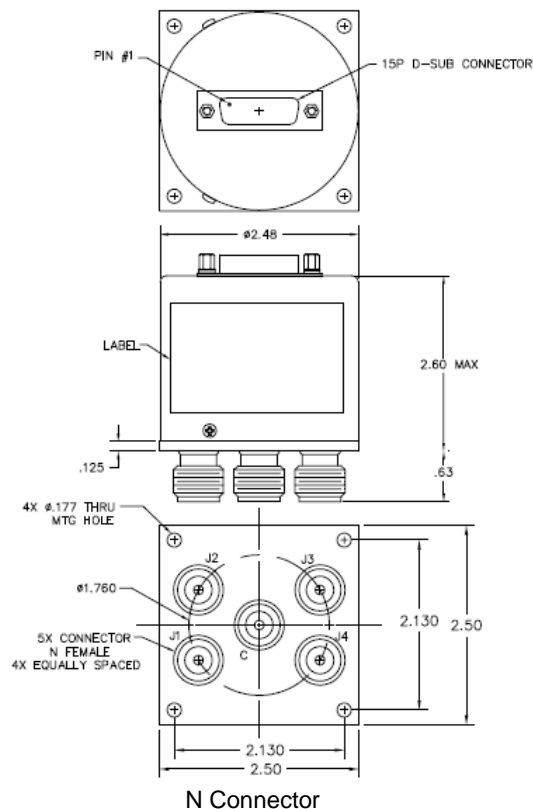
M series SPMT switches with higher temperature range is available for environments where additional shock, vibration, and humidity tolerance is required. Please visit EPX website or contact factory for details.

Specifications

Actuator:	Failsafe			
Actuator Voltage:	12±1 VDC	15±1 VDC	24±2 VDC	28±2 VDC
Actuator Current *:	250mA	205mA	160mA	140mA
Switching Time:	20ms (max)			
MTBF:	6.5 Million Hours			

* Note: Actuator Current stated is for SPMT, SMA, Normally Open without Indicator/TTL models only.

Outline



Specifications subject to change without notice

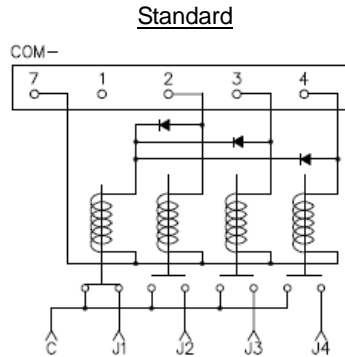
3048 SCOTT BOULEVARD, SANTA CLARA CA95054

TEL.NO.: 1-408-727 7127 • FAX NO.: 1-408-727 0827 • www.epxmicrowave.com

JAN 2010

Schematic

SPMT Failsafe Actuator



Model Numbering System

Example: SP6T-0A-18A-D-PIN

