



High Power 800 Watt RF Load Up To
500 MHz With N Female Input

TECHNICAL DATA SHEET

PE6TR1006

Configuration

RF Load Design	Precision
Connector	N Female
Connection Method	Standard
Body Style	Straight

Electrical Specifications (Values at 25°C, sea level)

Description	Minimum	Typical	Maximum	Units
Frequency Range	DC		500	MHz
Impedance		50		Ohms
VSWR			1.5:1	
Input Power			800	Watts

Mechanical Specifications

Temperature

Operating Range +100 to -55 deg C

Size

Length 1.97 in [50.04 mm]
Width/Dia. 3.66 in [92.96 mm]
Height 1.03 in [26.16 mm]

Connector

Type N Female
Body Material and Plating Brass, Nickel

Compliance Certifications (visit www.Pasternack.com for current document)

RoHS Compliant
REACH Compliant 06/16/2014

Plotted and Other Data

Notes:

- Values at +25 °C, sea level

Click the following link (or enter part number in "SEARCH" on website) to obtain additional part information including price, inventory and certifications: [High Power 800 Watt RF Load Up To 500 MHz With N Female Input PE6TR1006](#)





High Power 800 Watt RF Load Up To 500 MHz With N Female Input

TECHNICAL DATA SHEET

PE6TR1006

High Power 800 Watt RF Load Up To 500 MHz With N Female Input from Pasternack Enterprises has same day shipment for domestic and International orders. Our RF, microwave and millimeter wave products maintain a 99% availability and are part of the broadest selection in the industry.

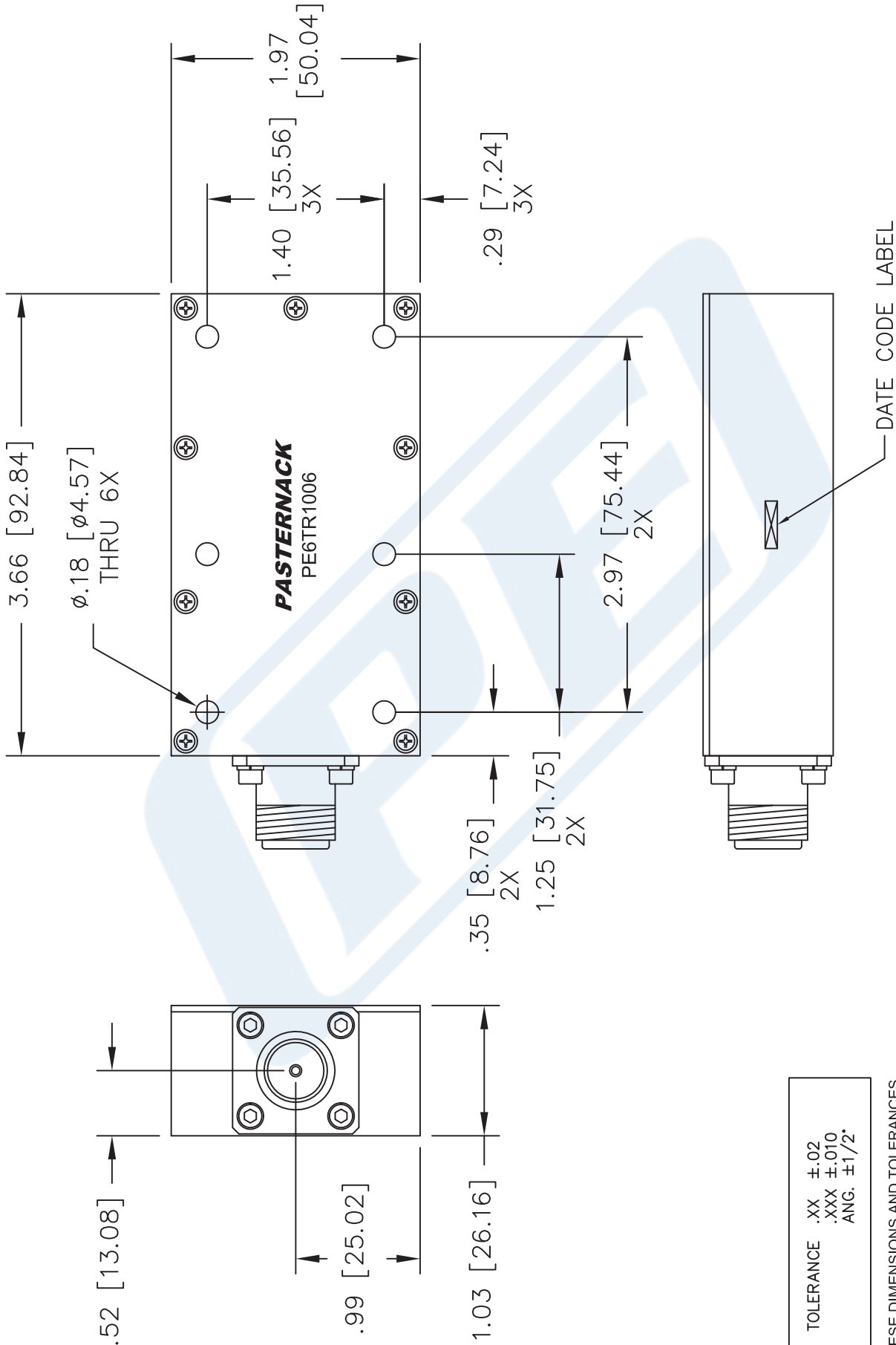
Click the following link (or enter part number in "SEARCH" on website) to obtain additional part information including price, inventory and certifications: [High Power 800 Watt RF Load Up To 500 MHz With N Female Input PE6TR1006](http://www.pasternack.com/800-watts-n-female-rf-load-up-to-500-mhz-precision-pe6tr1006-p.aspx)

URL: <http://www.pasternack.com/800-watts-n-female-rf-load-up-to-500-mhz-precision-pe6tr1006-p.aspx>

The information contained in this document is accurate to the best of our knowledge and representative of the part described herein. It may be necessary to make modifications to the part and/or the documentation of the part, in order to implement improvements. Pasternack reserves the right to make such changes as required. Unless otherwise stated, all specifications are nominal. Pasternack does not make any representation or warranty regarding the suitability of the part described herein for any particular purpose, and Pasternack does not assume any liability arising out of the use of any part or documentation.

PE6TR1006 CAD Drawing

High Power 800 Watt RF Load Up To 500 MHz With N Female Input



TOLERANCE .XX ±.02
.XXX ±.010
ANG. ±1/2°

* THESE DIMENSIONS AND TOLERANCES SUPERSEDE NOTE #1 ON TITLE BLOCK.

<p>NOTES:</p> <ol style="list-style-type: none"> 1. UNLESS OTHERWISE SPECIFIED ALL DIMENSIONS ARE NOMINAL. 2. ALL SPECIFICATIONS ARE SUBJECT TO CHANGE WITHOUT NOTICE AT ANY TIME. 3. DIMENSIONS ARE IN INCHES [mm]. 	
<p>DWG TITLE</p> <h2>PE6TR1006</h2>	
<p>FSCM NO. 53919</p>	<p>CAD FILE 040915</p>
<p>SCALE N/A</p>	<p>SIZE A</p>
<p>2233</p>	

PE PASTERNAK®
THE ENGINEER'S RF SOURCE
Pasternack Enterprises, Inc.
P.O. Box 16759 | Irvine | CA | 92623
Phone: (949) 261-1920 | Fax: (949) 261-7451
Website: www.pasternack.com | E-Mail: sales@pasternack.com