

# STANDARD GAIN HORN 10 DB GAIN WR28

SH128-10

## SPECIFICATIONS

### ELECTRICAL:

FREQUENCY: 26.5 - 40.0 GHZ  
 TYPICAL GAIN VARIATION:  $\pm 1.5$  TO  $\pm 2.0$  DB  
 GAIN: 10 DB

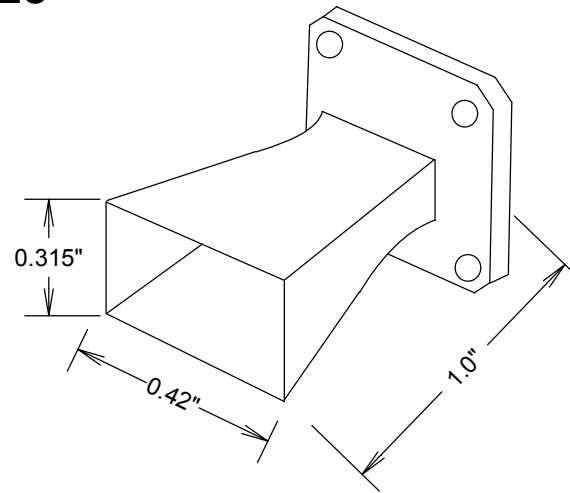
### 3 DB BEAM WIDTH\*:

E PLANE:  $54.2^\circ$   
 H PLANE:  $54.4^\circ$

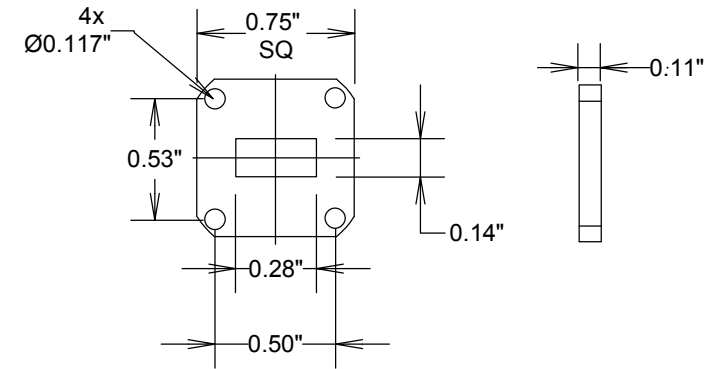
### MATERIALS:

BODY: ALUMINIUM  
 FINISH: GOLD PLATED COPPER  
 FLANGE: BRASS

\*GAIN & 3 DB BEAM WIDTH VALUES HAVE  
 CALCULATED BY COMPUTER SIMULATION



FLANGE SIZE



**FAIRVIEW MICROWAVE INC.**

ALLEN, TX 75013 WWW.FAIRVIEWMICROWAVE.COM

TITLE

**STANDARD GAIN HORN 10 DB GAIN WR28**

SIZE	CAGE CODE	DWG NO	REV
<b>A</b>	<b>3FKR5</b>	<b>SH128-10</b>	--
SCALE		SHEET	