

SURFACE MOUNT CIRCULATOR / ISOLATOR

- PCS, DCS, CDMA, UMTS Band, RFID Design
- Compact Package Design for PC Board Applications
- High Isolation, Low Insertion Loss
- High Power Handling
- PCB Soldering Re-flow
- Wide Operation Temperature Range
- Custom Design Available Upon Request



SURFACE MOUNT CIRCULATOR BY APPLICATION

FREQUENCY (GHz)		MODEL	ISOLATION	INS LOSS	VSWR	OPERATING	POWER	ROUND SIZE	DATA SHEET
F1-F2 GHz		NUMBER	(dB) MIN	(dB) MAX	MAX	TEMP(°C)	AVG (W)	dia (mm)	PACKAGE
RFID APPLICATION									
0.860	0.872	JCM0860T0872S10R	21	0.35	1.20	-30~+75	UP TO 100	24.2	CM03
0.860	0.960	JCM0860T0960S10R	20	0.45	1.25	-30~+75	UP TO 100	24.2	CM03
0.902	0.928	JCM0902T0928S10R	20	0.35	1.20	-30~+75	UP TO 100	24.2	CM03
0.950	0.956	JCM0950T0956S10R	23	0.35	1.20	-30~+75	UP TO 100	24.2	CM03
CELLULAR / GSM / PCS / DCS / CDMA / UMTS APPLICATION									
0.856	0.866	JCM0856T0866S10R	21	0.35	1.20	-30~+75	UP TO 100	24.2	CM03
0.858	0.878	JCM0858T0878S10R	21	0.35	1.20	-30~+75	UP TO 100	24.2	CM03
0.860	0.894	JCM0860T0894S10R	21	0.35	1.20	-30~+75	UP TO 100	24.2	CM03
0.869	0.894	JCM0869T0894S10R	23	0.35	1.20	-30~+75	UP TO 100	24.2	CM03
0.890	0.915	JCM0890T0915S10R	21	0.35	1.20	-30~+75	UP TO 100	24.2	CM03
0.920	0.960	JCM0920T0960S10R	23	0.35	1.20	-30~+75	UP TO 100	24.2	CM03
0.925	0.960	JCM0925T0960S10R	23	0.35	1.20	-30~+75	UP TO 100	24.2	CM03
0.935	0.960	JCM0935T0960S10R	21	0.35	1.20	-30~+75	UP TO 100	24.2	CM03
1.710	1.730	JCM1710T1730S6R	21	0.35	1.20	-40~+85	UP TO 60	18.2	CM04
1.805	1.825	JCM1805T1825S6R	21	0.35	1.20	-40~+85	UP TO 60	18.2	CM04
1.805	1.880	JCM1805T1880S6R	23	0.35	1.20	-40~+85	UP TO 60	18.2	CM04
1.805	1.880	JCM1805T1880S10R-II	23	0.35	1.20	-40~+85	UP TO 100	24.2	CM03
1.930	1.990	JCM1930T1990S6R	23	0.35	1.20	-40~+85	UP TO 60	18.2	CM04
1.930	1.990	JCM1930T1990S10R-II	23	0.35	1.20	-40~+85	UP TO 100	24.2	CM03
2.110	2.170	JCM2110T2170S6R	23	0.35	1.20	-40~+85	UP TO 60	18.2	CM04
2.110	2.170	JCM2110T2170S10R-II	23	0.35	1.20	-40~+85	UP TO 100	24.2	CM03
WIMAX APPLICATION									
2.300	2.400	JCM2300T2400S6R	20	0.35	1.20	-40~+85	UP TO 60	18.2	CM04
2.300	2.500	JCM2300T2500S6R	20	0.45	1.20	-40~+85	UP TO 60	18.2	CM04
2.400	2.500	JCM2400T2500S6R	20	0.35	1.20	-40~+85	UP TO 60	18.2	CM04
2.496	2.572	JCM2496T2572S6R	20	0.35	1.20	-40~+85	UP TO 60	18.2	CM04
2.496	2.690	JCM2496T2690S6R	20	0.45	1.20	-40~+85	UP TO 60	18.2	CM04
2.500	2.600	JCM2500T2600S6R	20	0.35	1.20	-40~+85	UP TO 60	18.2	CM04
2.500	2.700	JCM2500T2700S6R	20	0.45	1.20	-40~+85	UP TO 60	18.2	CM04
2.570	2.620	JCM2570T2620S6R	20	0.35	1.20	-40~+85	UP TO 60	18.2	CM04
2.614	2.690	JCM2614T2690S6R	20	0.35	1.20	-40~+85	UP TO 60	18.2	CM04
2.900	3.100	JCM2900T3100S6R	20	0.45	1.20	-40~+85	UP TO 60	18.2	CM04
3.100	3.500	JCM3100T3500S6R	20	0.50	1.20	-40~+85	UP TO 60	18.2	CM04
3.200	3.400	JCM3200T3400S6R	21	0.35	1.20	-40~+85	UP TO 60	18.2	CM04
3.300	3.500	JCM3300T3500S6R	21	0.35	1.20	-40~+86	UP TO 60	18.3	CM04
3.300	3.800	JCM3300T3800S6R	18	0.50	1.20	-40~+85	UP TO 60	18.2	CM04
3.400	3.600	JCM3400T3600S6R	21	0.35	1.20	-40~+85	UP TO 60	18.2	CM04
3.500	3.700	JCM3500T3700S6R	21	0.35	1.20	-40~+85	UP TO 60	18.2	CM04
3.600	3.800	JCM3600T3800S6R	21	0.35	1.20	-40~+85	UP TO 60	18.2	CM04



JQL ELECTRONICS INC.
 1-888-236-9828 (USA) 1-630-930-9917 (International) sales@jqlelectronics.com

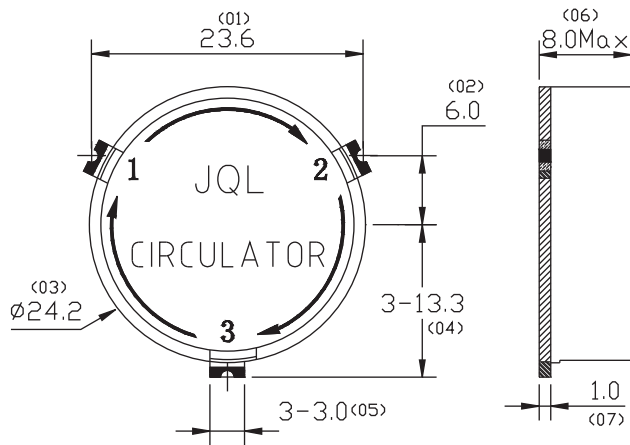
SURFACE MOUNT CIRCULATOR / ISOLATOR

SURFACE MOUNT CIRCULATOR BY APPLICATION

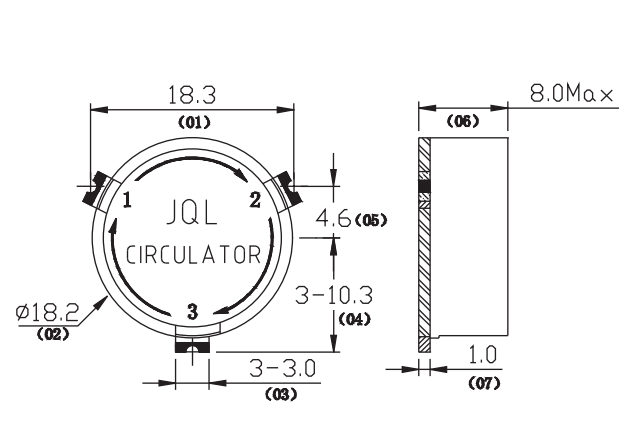
FREQUENCY (GHz)		MODEL	ISOLATION	INS LOSS	VSWR	OPERATING	POWER	ROUND SIZE	DATA SHEET
F1-F2 GHz		NUMBER	(dB) MIN	(dB) MAX	MAX	TEMP(°C)	AVG (W)	dia (mm)	PACKAGE
OTHER APPLICATION									
8.800	10.200	JCM8800T10K2G0	20	0.50	1.25:1	-40~+75	5	6.35	CM05
9.050	9.450	JCM9050T9450G0	20	0.40	1.20:1	-40~+75	5	6.35	CM05
9.500	10.000	JCM9500T10K0G0	20	0.40	1.20:1	-40~+75	5	6.35	CM05

SELECT-A-FREQUENCY SURFACE MOUNT CIRCULATOR

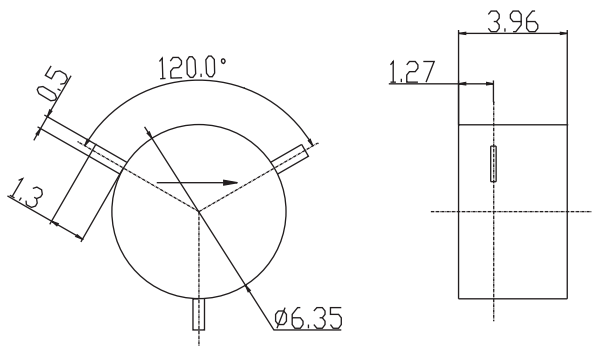
FREQUENCY (GHz)		BANDWIDTH	ISOLATION	INS LOSS	VSWR	OPERATING	PWR HANDLING	ROUND SIZE	DATA SHEET
F1	F2	UP TO	(dB) MIN	(dB) MAX	MAX	TEMP(°c)	AVG(W)	dia (mm)	PACKAGE
0.800	1.200	25MHz	22	0.35	1.20	-30~+75	100	24.2	CM03
0.800	1.200	70MHz	21	0.35	1.20	-30~+75	100	24.2	CM03
0.800	1.200	100MHz	20	0.45	1.25	-30~+75	100	24.2	CM03
1.700	2.500	70MHz	21	0.35	1.20	-40~+85	60	18.2	CM04
1.700	2.500	200MHz	20	0.40	1.25	-40~+85	60	18.2	CM04
3.300	3.800	200MHz	20	0.40	1.25	-40~+85	60	18.2	CM04



CM03-SURFACE MOUNT CIRCULATOR



CM04-SURFACE MOUNT CIRCULATOR



CM05-SURFACE MOUNT CIRCULATOR



500 Lake Cook Road, Suite 350, Deerfield, IL 60015, USA
 Tel: 1(888)236-9828 / 1(630)930-9917 Fax: 1(630)823-2902
 Website: www.jqlelectronics.com email: sales@jqlelectronics.com

SURFACE MOUNT CIRCULATOR / ISOLATOR

SURFACE MOUNT ISOLATOR BY APPLICATION

FREQUENCY (GHz)		MODEL	ISOLATION	INS LOSS	VSWR	OPERATING	POWER	ROUND SIZE	DATA SHEET
F1-F2 GHz		NUMBER	(dB) MIN	(dB) MAX	MAX	TEMP(°C)	FWD/REV (W)	dia (mm)	PACKAGE
RFID APPLICATION									
0.860	0.872	JIM0860T0872S1R	21	0.35	1.20	-30~+75	100/5	24.2	IM03
0.860	0.960	JIM0860T0960S1R	20	0.45	1.25	-30~+75	100/5	24.2	IM03
0.902	0.928	JIM0902T0928S1R	20	0.35	1.20	-30~+75	100/5	24.2	IM03
0.950	0.956	JIM0950T0956S1R	23	0.35	1.20	-30~+75	100/5	24.2	IM03
CELLULAR / GSM / PCS / DCS / CDMA / UMTS APPLICATION									
0.856	0.866	JIM0856T0866S1R	21	0.35	1.20	-30~+75	100/5	24.2	IM03
0.858	0.878	JIM0858T0878S1R	21	0.35	1.20	-30~+75	100/5	24.2	IM03
0.860	0.894	JIM0860T0894S1R	21	0.35	1.20	-30~+75	100/5	24.2	IM03
0.869	0.894	JIM0869T0894S1R	23	0.35	1.20	-30~+75	100/5	24.2	IM03
0.890	0.915	JIM0890T0915S1R	21	0.35	1.20	-30~+75	100/5	24.2	IM03
0.920	0.960	JIM0920T0960S1R	23	0.35	1.20	-30~+75	100/5	24.2	IM03
0.925	0.960	JIM0925T0960S1R	23	0.35	1.20	-30~+75	100/5	24.2	IM03
0.935	0.960	JIM0935T0960S1R	21	0.35	1.20	-30~+75	100/5	24.2	IM03
1.710	1.730	JIM1710T1730S1R	21	0.35	1.20	-40~+85	60/5	18.2	IM04
1.805	1.825	JIM1805T1825S1R	21	0.35	1.20	-40~+85	60/5	18.2	IM04
1.805	1.880	JIM1805T1880S1R	23	0.35	1.20	-40~+85	60/5	18.2	IM04
1.805	1.880	JIM1805T1880S1R-II	23	0.35	1.20	-40~+85	100/5	24.2	IM03
1.930	1.990	JIM1930T1990S1R	23	0.35	1.20	-40~+85	60/5	18.2	IM04
1.930	1.990	JIM1930T1990S1R-II	23	0.35	1.20	-40~+85	100/5	24.2	IM03
2.110	2.170	JIM2110T2170S1R	23	0.35	1.20	-40~+85	60/5	18.2	IM04
2.110	2.170	JIM2110T2170S1R-II	23	0.35	1.20	-40~+85	100/5	24.2	IM03
WIMAX APPLICATION									
2.300	2.400	JIM2300T2400S1R	20	0.35	1.20	-40~+85	60/5	18.2	IM04
2.300	2.500	JIM2300T2500S1R	20	0.45	1.20	-40~+85	60/5	18.2	IM04
2.400	2.500	JIM2400T2500S1R	20	0.35	1.20	-40~+85	60/5	18.2	IM04
2.496	2.572	JIM2496T2572S1R	20	0.35	1.20	-40~+85	60/5	18.2	IM04
2.496	2.690	JIM2496T2690S1R	20	0.45	1.20	-40~+85	60/5	18.2	IM04
2.500	2.600	JIM2500T2600S1R	20	0.35	1.20	-40~+85	60/5	18.2	IM04
2.500	2.700	JIM2500T2700S1R	20	0.45	1.20	-40~+85	60/5	18.2	IM04
2.570	2.620	JIM2570T2620S1R	20	0.35	1.20	-40~+85	60/5	18.2	IM04
2.614	2.690	JIM2614T2690S1R	20	0.35	1.20	-40~+85	60/5	18.2	IM04
2.900	3.100	JIM2900T3100S1R	20	0.45	1.20	-40~+85	60/5	18.2	IM04
3.100	3.500	JIM3100T3500S1R	20	0.50	1.20	-40~+85	60/5	18.2	IM04
3.200	3.400	JIM3200T3400S1R	21	0.35	1.20	-40~+85	60/5	18.2	IM04
3.300	3.500	JIM3300T3500S1R	21	0.35	1.20	-40~+86	60/5	18.3	IM04
3.300	3.800	JIM3300T3800S1R	18	0.50	1.20	-40~+85	60/5	18.2	IM04
3.400	3.600	JIM3400T3600S1R	21	0.35	1.20	-40~+85	60/5	18.2	IM04
3.500	3.700	JIM3500T3700S1R	21	0.35	1.20	-40~+85	60/5	18.2	IM04
3.600	3.800	JIM3600T3800S1R	21	0.35	1.20	-40~+85	60/5	18.2	IM04
OTHER APPLICATION									
8.800	10.200	JIM8800T10K2G0	20	0.50	1.25:1	-40~+75	5/0.5	6.35	IM05
9.050	9.450	JIM9050T9450G0	20	0.40	1.20:1	-40~+75	5/0.5	6.35	IM05
9.500	10.000	JIM9500T10K0G0	20	0.40	1.20:1	-40~+75	5/0.5	6.35	IM05

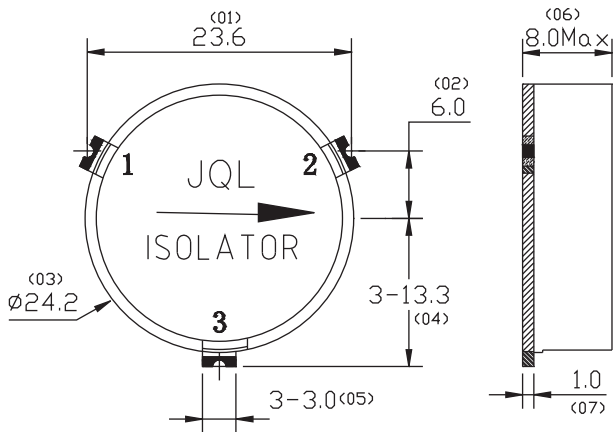
SELECT-A-FREQUENCY SURFACE MOUNT ISOLATOR

FREQUENCY (GHz)		BANDWIDTH	ISOLATION	INS LOSS	VSWR	OPERATING	PWR	ROUND SIZE	DATA SHEET
F1	F2	UP TO	(dB) MIN	(dB) MAX	MAX	TEMP(°C)	FWD/REV (W)	dia (mm)	PACKAGE
0.800	1.200	25MHz	22	0.35	1.20	-30~+75	100/5	24.2	IM03
0.800	1.200	70MHz	21	0.35	1.20	-30~+75	100/5	24.2	IM03
0.800	1.200	100MHz	20	0.45	1.25	-30~+75	100/5	24.2	IM03
1.700	2.500	70MHz	21	0.35	1.20	-40~+85	60/5	18.2	IM04
1.700	2.500	200MHz	20	0.40	1.25	-40~+85	60/5	18.2	IM04
3.300	3.800	200MHz	20	0.40	1.25	-40~+85	60/5	18.2	IM04

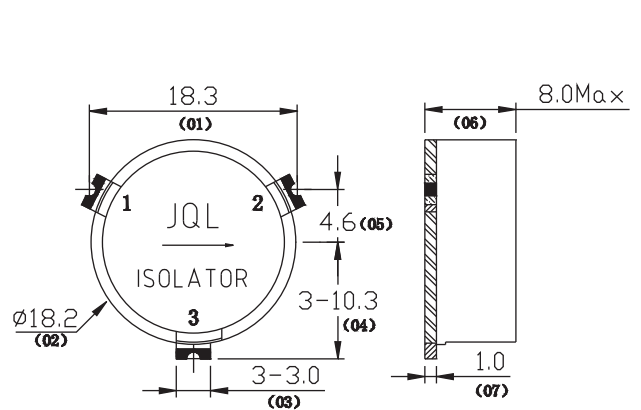


JQL ELECTRONICS INC.
 1-888-236-9828 (USA) 1-630-930-9917 (International) sales@jqlelectronics.com

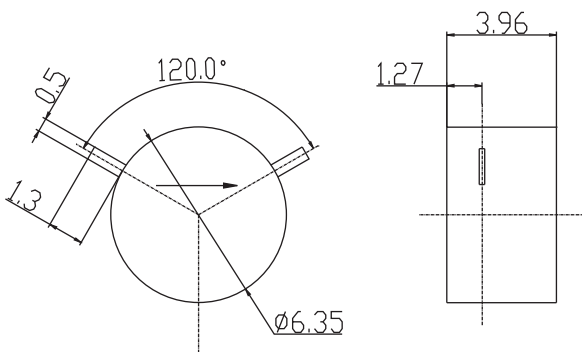
SURFACE MOUNT CIRCULATOR / ISOLATOR



IM03-SURFACE MOUNT ISOLATOR



IM04-SURFACE MOUNT ISOLATOR



IM05-SURFACE MOUNT ISOLATOR



500 Lake Cook Road, Suite 350, Deerfield, IL 60015, USA
 Tel: 1(888)236-9828 / 1(630)930-9917 Fax: 1(630)823-2902
 Website: www.jqlelectronics.com email: sales@jqlelectronics.com