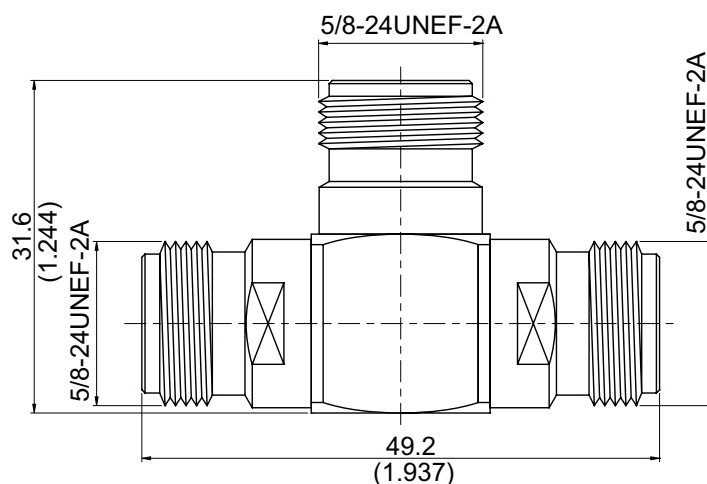


AT-N8N8N8-75	N Jack To N Jack To N Jack	75Ω
--------------	----------------------------	-----



Parts	Material	Plating (Micro-inch)
Contact Pin	Phosphor Bronze	Gold 4 Over Nickel-Phosphorus Alloy 80 Over Copper 20
Insulator	Teflon	
Body	Brass	Tin-Zinc-Copper-Alloy 100 Over Copper 50

Weight:

This part number complies with RoHS.

Notice: JYBAO reserves the right to make modifications deemed appropriate.