



2111 Comprehensive Drive

Aurora, Illinois 60505

Phone: 630-851-4722

Fax: 630-851-5040

www.conwin.com

US Headquarters:

630-851-4722

European Headquarters:

+353-61-472221

Precision 5.0x 3.2mm TCXO Model D53G

CONNOR WINFIELD



Description:

The Connor-Winfield D53G is a 3.3V Clipped Sinewave, Surface Mount, Temperature Compensated Crystal Oscillator (TCXO) designed for applications requiring tight frequency stability. The RoHS compliant surface mount package is designed for high-density mounting and is optimum for mass production.



Features:

- 3.3 Vdc Operation
- Clipped Sinewave Output
- Frequency Stability: ± 0.50 ppm
- Temperature Range: -30 to 85°C
- Low Jitter $< 1\text{ps RMS}$
- 5.0x3.2mm SMT Package
- Tape and Reel Packaging
- RoHS Compliant, Lead Free

Absolute Maximum Ratings

Parameter	Minimum	Nominal	Maximum	Units	Notes
Storage Temperature	-55	-	85	$^{\circ}\text{C}$	
Supply Voltage (Vcc)	-0.5	-	Vcc+0.5	Vdc	

Operating Specifications

Parameter	Minimum	Nominal	Maximum	Units	Notes
Center Frequency (Fo)	-	20.0 or 26.0	-	MHz	
Freq. Stability vs. Cal. @ 25°C	-1.0	-	1.0	ppm	1
Freq. Stability vs. Temp.	-0.50	-	0.50	ppm	2
Freq. Stability vs. Voltage	-0.25	-	0.25	ppm	$\pm 5\%$
Freq. Stability vs. Load	-0.25	-	0.25	ppm	$\pm 5\%$
Static Temperature Hysteresis	-	-	0.40	ppm	3
Freq. shift after reflow soldering	-1.0	-	1.0	ppm	4
Aging	-1.0	-	1.0	ppm/year	
Operating Temperature Range:	-30	-	85	$^{\circ}\text{C}$	
Supply Voltage (Vcc)	3.135	3.3	3.465	Vdc	$\pm 5\%$
Supply Current (Icc)	-	-	2	mA	
Period Jitter	-	3	5	ps rms	
Integrated Phase Jitter	-	0.5	1.0	ps rms	5
SSB Phase Noise Fo = 20 MHz					
10Hz offset	-	-80	-	dBc/Hz	
100Hz offset	-	-110	-	dBc/Hz	
1KHz offset	-	-130	-	dBc/Hz	
10KHz offset	-	-145	-	dBc/Hz	
100KHz offset	-	-150	-	dBc/Hz	
Start-up Time	-	-	5	ms	

Clipped Sinewave Output Characteristics

Parameter	Minimum	Nominal	Maximum	Units	Notes
Output Voltage	1.0	-	-	V pk-pk	6
Load Resistance	-	10K	-	Ohm	
Load Capacitance	-	10	-	pF	7

Package Characteristics

Package Hermetically sealed ceramic package and metal cover

Environmental Characteristics

Vibration: Vibration per Mil Std 883E Method 2007.3 Test Condition A
 Shock: Mechanical Shock per Mil Std 883E Method 2002.4 Test Condition B.
 Soldering Process; RoHS compliant lead free. See soldering profile on page 2.

Ordering Information

D53G-020.0M* or D53G-026.0M*

* For the tape and reel option, add -T to the end of the part number. Example: D53G-020.0M-T

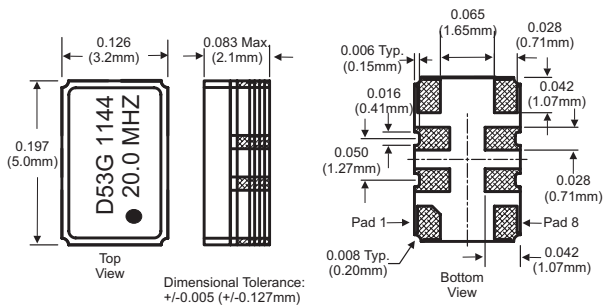
Notes:

1. Frequency Calibration; frequency measured at Vcc = 3.3 Vdc, 25°C , referenced to Fo.
2. Frequency stability vs. change in temperature. $[\pm(F_{\text{max}} - F_{\text{min}})/2.F_0]$.
3. Frequency change after reciprocal temperature ramped over the operating range. Frequency measured before and after at 25°C .
4. Within two hours after reflow soldering
5. BW=12K Hz to 20 MHz.
6. Output is DC coupled
7. For best performance it is recommended that the circuit connected to this output should have an equivalent input capacitance of 10 pF.

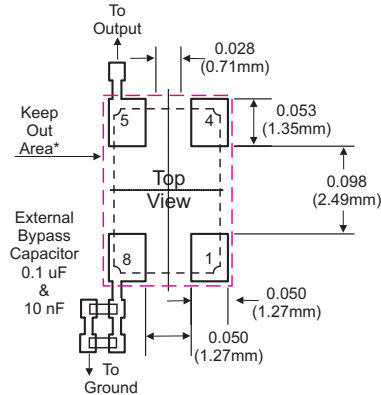


Bulletin **TX239**
 Page **1 of 2**
 Revision **03**
 Date **16 Nov 2012**

Package Layout



Suggested Pad Layout

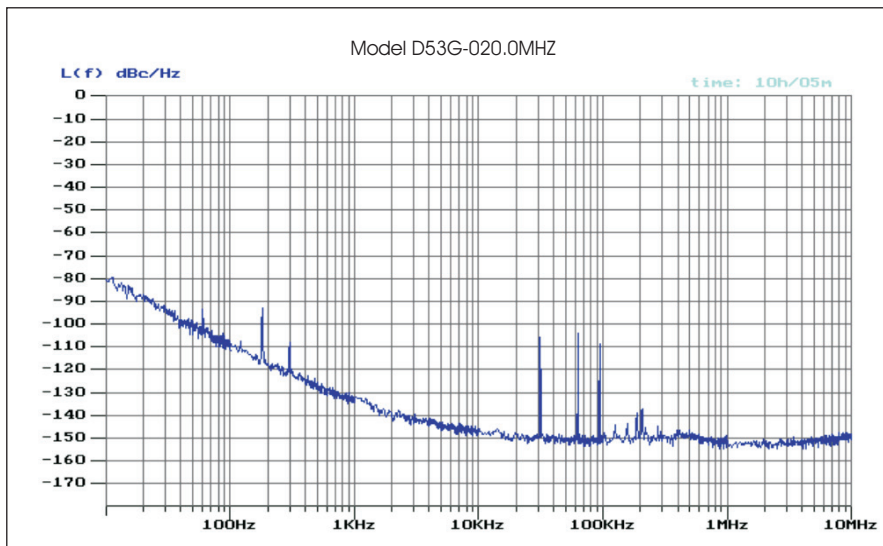


Pad Connections

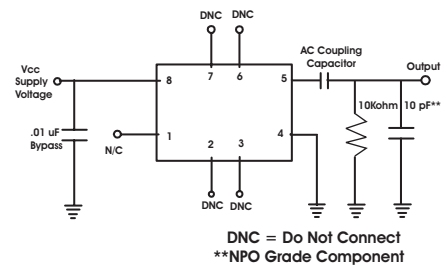
- 1: N/C
- 2: Do Not Connect
- 3: Do Not Connect
- 4: Ground
- 5: Output
- 6: Do Not Connect
- 7: Do Not Connect
- 8: Supply Voltage (Vcc)

* Keep Out Area: Do not route any traces in the keep out area. It is recommended the next layer under the keep out area is to be ground plane.

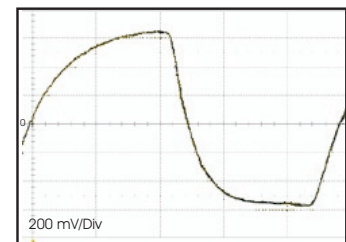
Phase Noise Plot



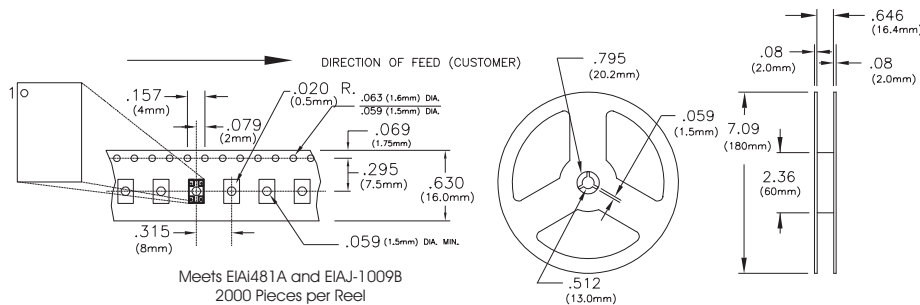
Test Circuit



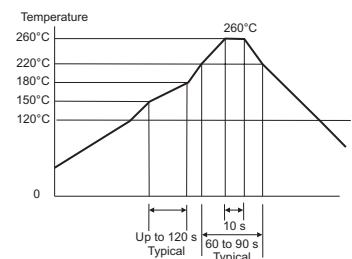
Output Waveform



Tape and Reel Information



Solder Profile



Revision History

Rev 01	New release GD 11/14/08.
Rev 02	Updated to new data sheet format. 1/03/11.
Rev 03	Updated Phase noise information. 11/16/12

Bulletin	TX239
Page	2 of 2
Revision	03
Date	16 Nov 2012