

GENERAL SPECIFICATIONS

PART NUMBER	FREQUENCY GHz	W/G SIZE DESIGN	DIM. -A-	DIM. -B-	DIM. -C-
WS-2N	1.7-2.6	WR430	7.5	5	8
WS-16N	2.2-3.3	WR430	7.5	4	8
WS-3N	2.6-3.95	WR284	7.5	3.75	5
WS-4N	3.3-4.9	WR229	7	3.5	4.75
WS-5N	3.95-5.85	WR187	6.5	3.25	4.5
WS-6N	4.9-7.05	WR159	6	3	4
WS-7N	5.85-8.2	WR137	6	3	4
WS-8N	7.05-10	WR112	4.2	2.1	3
WS-9N	8.2-12.4	WR90	4	2	2.75
WS-10N	10-15	WR75	3.75	1.87	2.5
WS-11N	12.4-18	WR62	3.5	1.75	2.37

PERFORMANCE SPECIFICATIONS

Coupling: 30dB, 40dB, or 50dB  
 Nominal Coupling: +/- 0.5dB  
 Frequency Sensitivity: +/- 1.00dB max.  
 Directivity: 20dB min.  
 VSWR Waveguide: 1.05 max.

Mechanical

Construction: -A = Aluminum, -B = Brass-Copper  
 Pressure: 30psi WR28 thru WR137, otherwise 10psi  
 Flange Type: Multiple Type Available, See Table  
 Finishing: Corrosion resistant 316 stainless steel epoxy coating

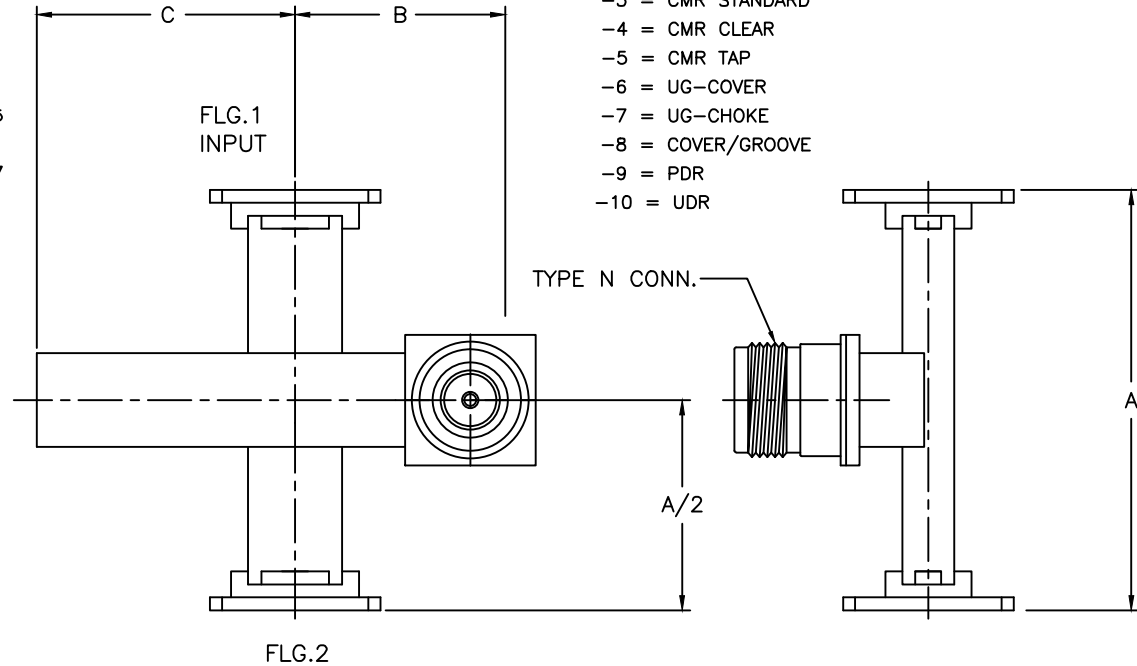
ORDERING INFORMATION

EXAMPLE PART NUMBER: WS-9N-A-6-6-30  
 W/G SIZE (WR62 to WR430)  
 MATERIAL (-A, -B)  
 FLANGE 1 (Type)  
 FLANGE 2 (Type)  
 COUPLING (dB)

REVISIONS				
ZONE	REV	DESCRIPTION	Date	APPROVED

F = FLANGE TYPES

- 1 = CPRG
- 2 = CPRF
- 3 = CMR STANDARD
- 4 = CMR CLEAR
- 5 = CMR TAP
- 6 = UG-COVER
- 7 = UG-CHOKE
- 8 = COVER/GROOVE
- 9 = PDR
- 10 = UDR



MATERIAL:		MICROWAVE COMMUNICATIONS LABORATORIES INC. 7255 30TH AVE. N. SAINT PETERSBURG, FL 33710 TEL: (727) 344-6254 FAX: (727) 381-6116 http://WWW.MCLI.COM	SCALE: N/A
UNLESS OTHERWISE SPECIFIED: TOLERANCES IN (INCHES) OR [mm] (MILLIMETERS) FRACTIONS: ± 1/64 DECIMALS: ±.01 ±.005 ANGLE: ±1/2°			SHEET: N/A
DRAWING TITLE:		2 PORTS CROSSGUIDE DIRECTIONAL COUPLER, TYPE N	
PART NO.:		WS-2N to WS-16N	
DRAWN: Paiboon luekhamhan	DATE: 01-19-2012	CAGE CODE: OD2L5	SIZE: A
APPROVED: T. Nguyen	DATE: 01-19-2012	REV: N/A	DWG NO. 85979
THIRD ANGLE PROJECTION 		DO NOT SCALE THE DRAWING	