

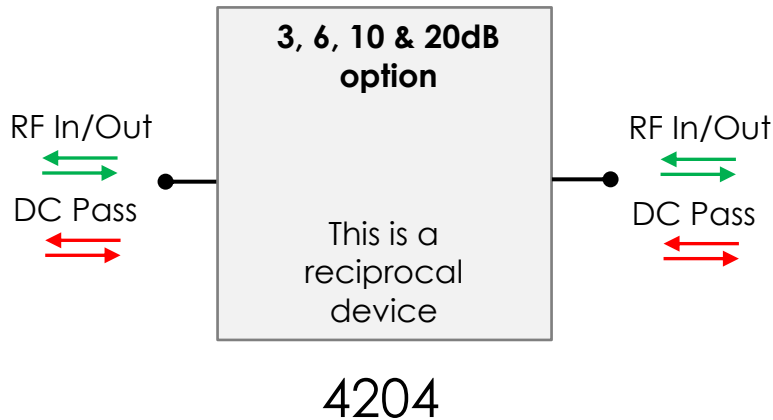
L-band Attenuator



ATTxxL1P-4204 is an L-band attenuator available with fixed attenuation options of 3, 6, 10 or 20dB over 850 to 2150MHz, with DC pass on both ports.

This component is available with the following RF connector options: 50 Ω SMA, N-type, BNC and 75 Ω BNC or F-type.

Vector diagram



Maximum acceptable operating parameters for reliable and safe operation

Parameter	Value	Comment
Input RF power	+37 dBm (5W)	Max total RF power
DC Voltage	50V	Any RF port
Operating temperature	0 to 55°C	Indoor use only
Storage Temperature	-20°C to +75°C	
Humidity	85%	Non-condensing
Altitude	10,000 Feet	Above Mean Sea Level

! Operation beyond these limits may cause instantaneous and permanent damage.



L-band attenuators - typical performance

Model Number	Attenuation (dB)	Attenuation vs. Frequency variation (dB)	Return Loss (dB)	
			Typ.	Max

ATT03L1P-4204

ATT03L1P-4204-S5S5	3	±0.7	20	13
ATT03L1P-4204-N5N5	3	±0.7	20	13
ATT03L1P-4204-B5B5	3	±0.7	18	13
ATT03L1P-4204-B7B7	3	±1.0	16	12
ATT03L1P-4204-F7F7	3	±1.0	14	10

ATT06L1P-4204

ATT06L1P-4204-S5S5	6	±0.8	19	13
ATT06L1P-4204-N5N5	6	±0.8	19	13
ATT06L1P-4204-B5B5	6	±0.8	17	13
ATT06L1P-4204-B7B7	6	±1.0	15	12
ATT06L1P-4204-F7F7	6	±1.1	13	10

ATT10L1P-4204

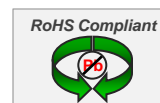
ATT10L1P-4204-S5S5	10	±1.0	18.5	11.5
ATT10L1P-4204-N5N5	10	±1.0	18.5	11.5
ATT10L1P-4204-B5B5	10	±1.0	18.5	11.5
ATT10L1P-4204-B7B7	10	±1.2	14.5	10.5
ATT10L1P-4204-F7F7	10	±1.5	14.5	10.5

ATT20L1P-4204

ATT20L1P-4204-S5S5	20	±1.0	18	11
ATT20L1P-4204-N5N5	20	±1.0	18	11
ATT20L1P-4204-B5B5	20	±1.0	18	11
ATT20L1P-4204-B7B7	20	±1.5	14	10
ATT20L1P-4204-F7F7	20	±1.7	14	10

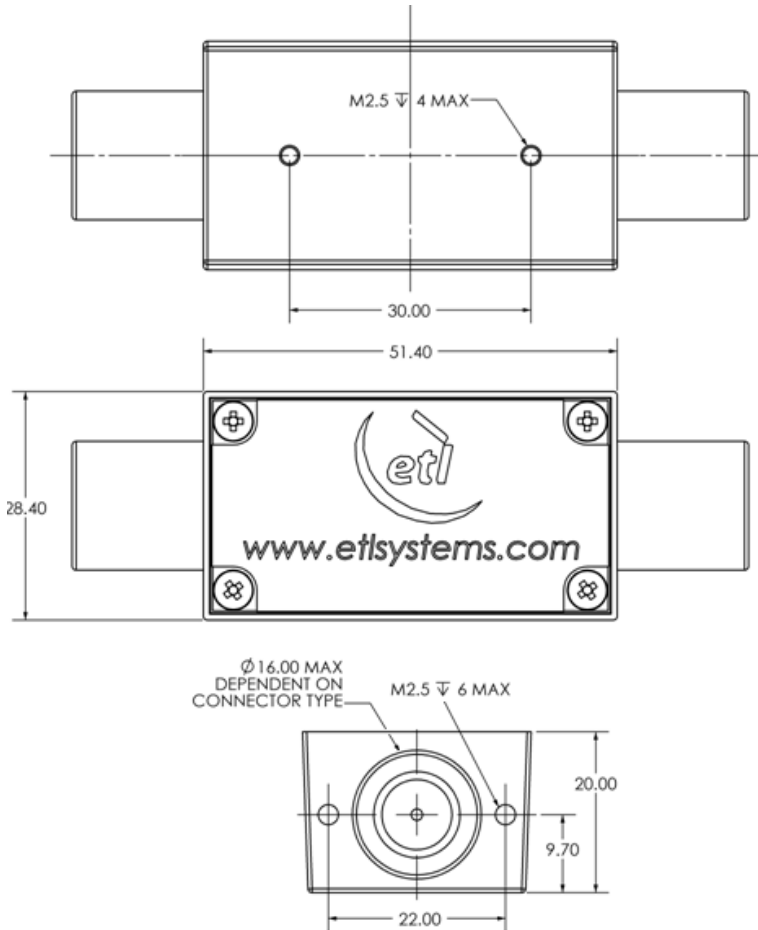
ETL Systems Ltd, Coldwell Radio Station, Madley, Hereford, HR2 9NE, England

ETL Systems design, develop and manufacture specialist equipment for satellite ground stations. For a full description of the ETL product range, please see our website at www.etlsystems.com. This product range provides the basis for meeting your specific demands.



Tel +44 (0)1981 259020
 Fax +44 (0)1981 259021
info@etlsystems.com

Physical dimensions



Alternative attenuators

Model Number	Attenuation Range	Frequency (MHz)	Other features
ATTxxL1P-4203	3, 6, 10, 20	L-band (850-2150)	DC block on both ports
ATTxxL1P-4204	3, 6, 10, 20	L-band (850-2150)	DC pass
ATTxxL1P-4205	3, 6, 10, 20	L-band (850-2150)	10MHz and DC pass
ATTxxL1P-4206	3, 6, 10, 20	L-band (850-2150)	10MHz pass and DC block
ATTxxL1P-4207	3, 6, 10, 20	L-band (850-2150)	10MHz and DC block