

# FPA14-13V/430



## Flat Panel Antenna

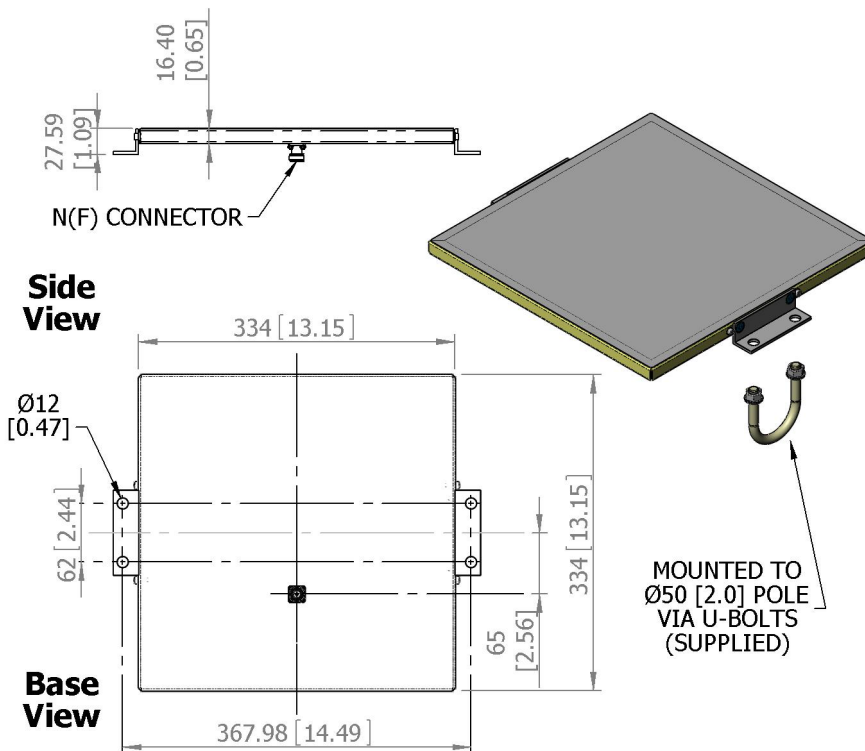
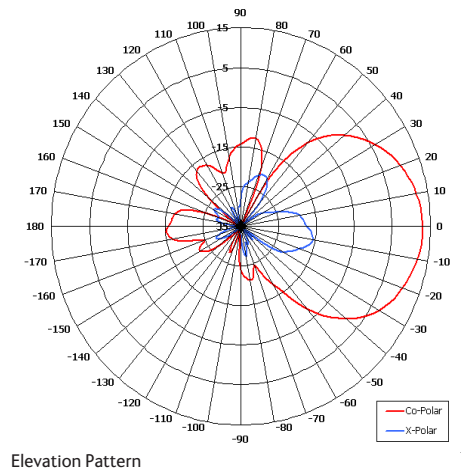
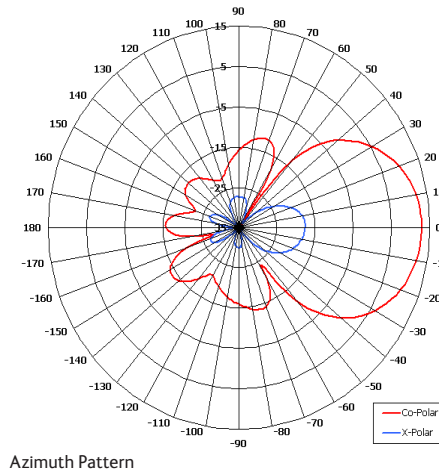
The most important thing we build is trust

Designed for Commercial Applications

Suitable for Multiple Applications

Compact

Low Profile



Elevation Pattern

### ELECTRICAL

Frequency	1.24 - 1.34 GHz
Gain	14 dBi
Polarisation	Linear (Vertical)
Beamwidth	40° (Az) x 40° (El) Approx
Cross Polar	20 dB Typ
VSWR	2:1 max
Power Rating	10W
Front to Back	30 dB

### MECHANICAL

Standard Finish	Gloss White
Mass	1.2 Kg (2.6 lbs)
Temperature	-20° to +50°C
Wind Loading	25 Kg(55 lbs) @ 100mph

### MOUNTING OPTIONS

Kits Available	N/A
See separate data sheets	

### ADDITIONAL NOTES

**GA: 0430**

Issued 161009

European Antennas Limited trading as Cobham Antenna Systems, Microwave Antennas

European Antennas Limited has a policy of continuous development and stress that the information provided is a guide only and does not constitute an offer or contract or part thereof. Whilst every effort is made to ensure the accuracy of the information contained in this brochure, no responsibility can be accepted for any errors or omissions.

The copyright of antenna designs and images is copyright protected and owned by European Antennas Limited.  
©European Antennas Limited

For further information please contact:

Cobham Antenna Systems, Microwave Antennas  
Lambda House, Cheveley,  
Newmarket, Suffolk CB8 9RG, UK.  
Tel +44 (0)1638 732 177  
Fax +44 (0) 1638 731999  
Email newmarket.sales@cobham.com