



## SPECIFICATIONS

### ALL MODELS

FREQUENCY RANGE	MAXIMUM VSWR
DC-27 GHz	1.10
27-40 GHz	1.15
40-50 GHz	1.20
<b>INSERTION LOSS = <math>0.035\sqrt{f(\text{GHz})}</math> dB</b>	

### APPLICATION:

- DC to 50.0 GHz High Performance

### FEATURES:

- Low VSWR
- Minimum VSWR Contribution When Used as Connector Savers
- Equal Electrical Length
- Performance Consistency Unit to Unit
- Temperature Rating -55° to +135°C

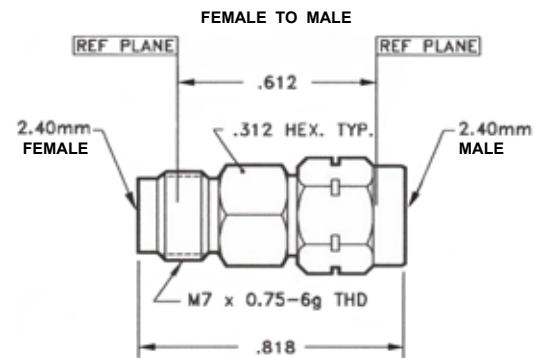
### INTERFACE:

- Per MIL-STD-348A,

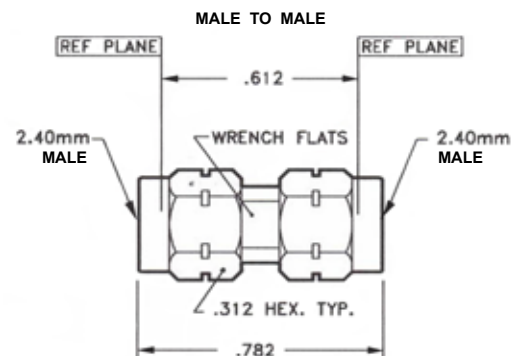
### CONSTRUCTION:

- Housing: Stainless Steel, Passivated
- Contact: Beryllium Copper, Gold
- Mechanical Intergrity: Rigid High Temperature Capture

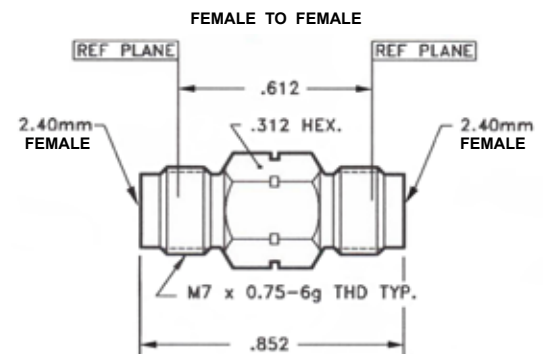
## DIMENSIONS



**MODEL 3030**



**MODEL 3031**



**MODEL 3032**