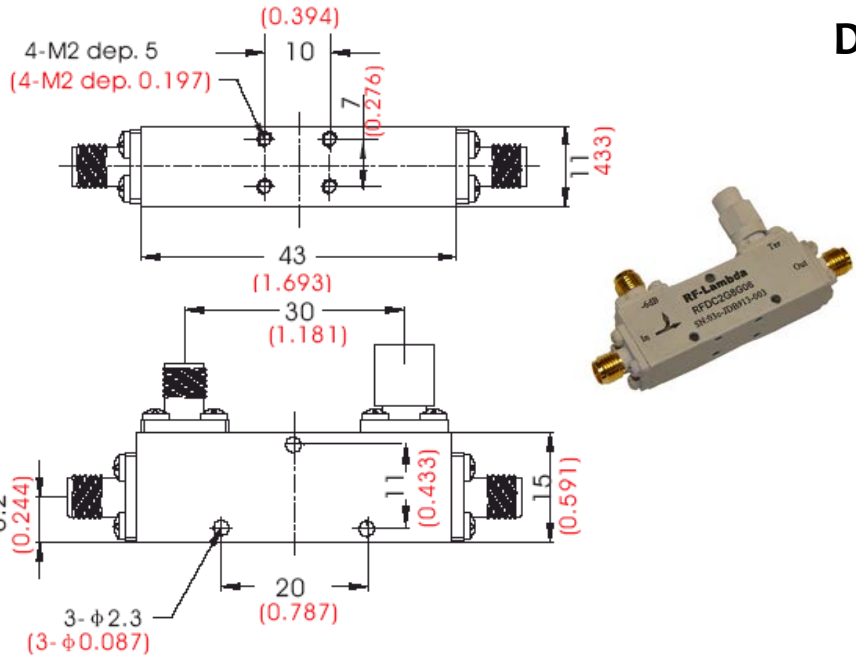


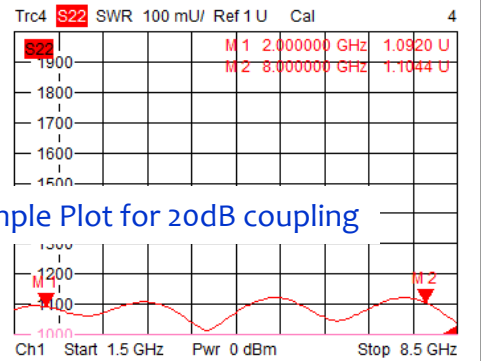
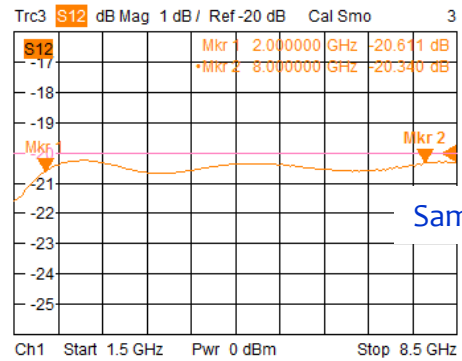
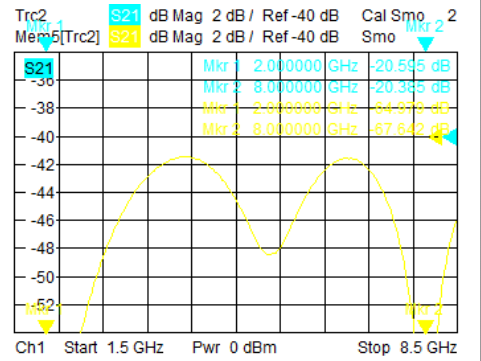
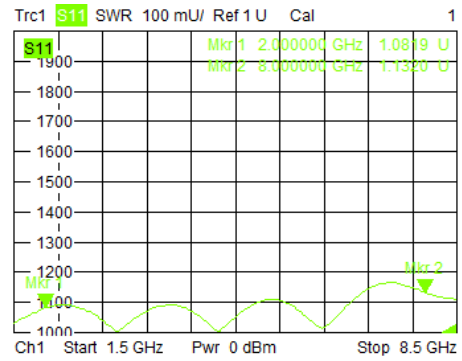
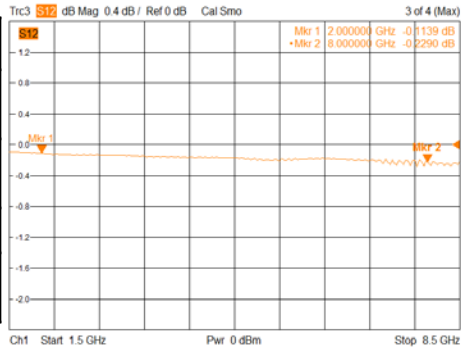
A B C D E F G H J K L M N P Q



DIRECTIONAL COUPLER -- RFDC2G8G20

1.0 Mechanical Specifications	
1.1	Connector: SMA-Female Brass, Nickel Plate
1.2	Connect Pins: Beryllium Copper, Gold Plate
1.3	Housing: Aluminum, Black paint
1.4	Insulators: Ptee, Virgin Electrical grade

3.0 Electrical Specifications						
Part Number	Freq. (GHz)	Coupling (dB)	Insertion Loss (dB)	Directivity (dB)	Average Power (W)	VSWR
RFDC2G8G20	2-8	20	0.4	20	50	1.2



Sample Plot for 20dB coupling

2.0 Environment specifications	
2.1	Operation Temp. -40°C~+85°C
2.2	Storage Temp. -65°C~+150°C
2.3	Altitude 45000 ft
2.4	Vibration 10g rms (15 degree 2KHz)
2.5	Humidity 100% RH at 35c, 95%RH at 40 deg c
2.6	Shock 20G for 11msc

PAGE 1 OF 1 DATE MAR 26 2006

PROPRIETARY INFORMATION THE INFORMATION CONTAINED IN THIS DOCUMENT IS THE PROPERTY OF RF-LAMBDA EXCEPT AS SPECIFICALLY AUTHORIZED IN WRITING BY RF-LAMBDA. THE HOLDER OF THIS DOCUMENT SHALL KEEP ALL INFORMATION CONTAINED HEREIN CONFIDENTIAL AND SHALL PROTECT SAME IN THE WHOLE OR IN PART FROM DISCLOSURE AND DISSEMINATION OF ALL THIRD PARTIES AND SHALL USE SAME FOR OPERATING AND MAINTENANCE PURPOSES ONLY.

DESIGN: RFPC
 RF-LAMBDA: RFPC
 CAD MODEL REVISION: 08
 ASSEMBLY REVISION: VS4A2
 ASSEMBLY NAME: RFLVR07
 DRAWING NUMBER: D05-2

RFDC2G8G20 DIRECTIONAL COUPLER

www.rflambda.com

RF-LAMBDA SIZE LT SHEETS 1 OF 1

A B C D E F G H J K L M N P Q