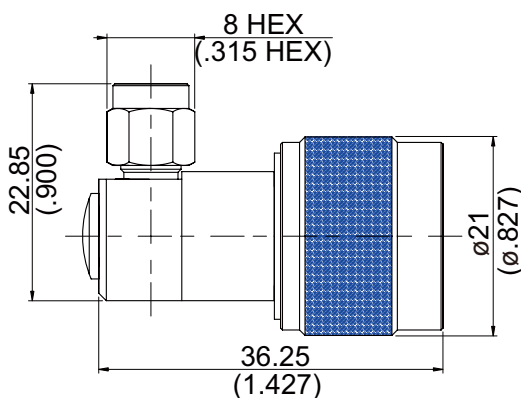


AL-A3N3

SMA Plug To N Plug Right Angle 50Ω



Typical VSWR

Part Number	1Ghz	2Ghz	3Ghz
AL-A3N3	1.04	1.16	1.20

Parts	Material	Plating (Micro-inch)
Cover	Brass	Tin-Zinc-Copper-Alloy 100 Over Copper 50
Retainer Ring	Brass	Tin-Zinc-Copper-Alloy 100 Over Copper 50
Gasket	Silicon	
Coupling Nut(SMA)	Brass	Gold 5 Over Nickel 50 Over Copper 50
Coupling Nut(N)	Brass	Tin-Zinc-Copper-Alloy 100 Over Copper 50
Body(SMA)	Brass	Gold 5 Over Nickel 50 Over Copper 50
Body(N)	Brass	Tin-Zinc-Copper-Alloy 100 Over Copper 50
Contact Pin	Brass	Gold 10 Over Nickel 50 Over Copper 50
Retainer Ring	Beryllium Copper	Tin-Zinc-Copper-Alloy 100 Over Copper 50
Insulator	Teflon	

Weight:

This part number complies with RoHS.

Notice: JYBAO reserves the right to make modifications deemed appropriate.