

# FPA15-1.6L-GPS/1535

# COBHAM

## Flat Panel Antenna

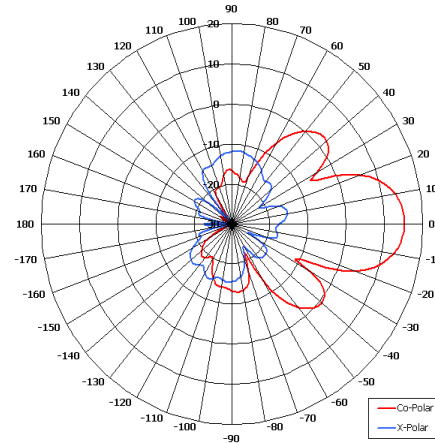
The most important thing we build is trust

Designed for Thuraya Satellite Network

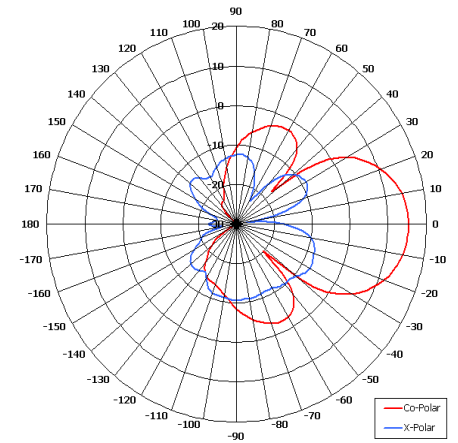
Integrated Active GPS Antenna

Portable

Quick Field Deployable Mount

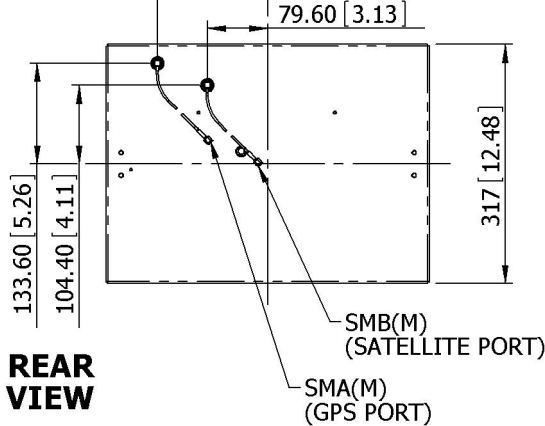
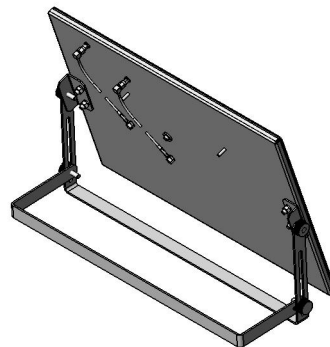
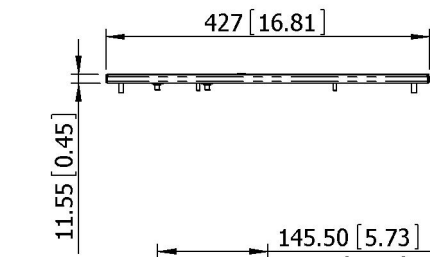


Azimuth Pattern



Elevation Pattern

### TOP VIEW



### REAR VIEW

**GA: 1535**



ThurayaIP® unit mounted on antenna (unit not supplied).

### ELECTRICAL

Frequency	1.52 - 1.66 GHz
Gain	>15 dBiC Nom
Polarisation	Left Hand Circular
Beamwidth	22° (Az) x 32° (El) Approx
Axial Ratio	3.0 dB Typ
VSWR	1.5:1
Power Rating	10 W
Front to Back	>35 dB
Connectors	SMA(M) on 200mm cable for GPS SMB(M) on 200mm cable for Satellite

### MECHANICAL

Standard Finish	Gloss White
Mass	1.8 Kg (4.0 lbs)
Temperature	-40° to +60°C
Wind Loading	N/A

### MOUNTING OPTIONS

Kits available	Adjustable Legs (supplied as shown)
----------------	-------------------------------------

See separate data sheets

### ADDITIONAL NOTES

Issued 080710

European Antennas Limited trading as Cobham Antenna Systems, Microwave Antennas

European Antennas Limited has a policy of continuous development and stress that the information provided is a guide only and does not constitute an offer or contract or part thereof. Whilst every effort is made to ensure the accuracy of the information contained in this brochure, no responsibility can be accepted for any errors or omissions.

The copyright of antenna designs and images is copyright protected and owned by European Antennas Limited.  
©European Antennas Limited

For further information please contact:

Cobham Antenna Systems, Microwave Antennas  
Lambda House, Cheveley,  
Newmarket, Suffolk CB8 9RG, UK.  
Tel +44 (0)1638 732 177  
Fax +44 (0) 1638 731 999  
Email newmarket.sales@cobham.com