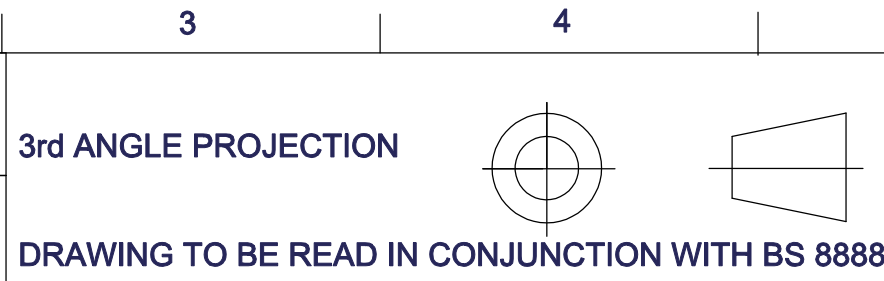
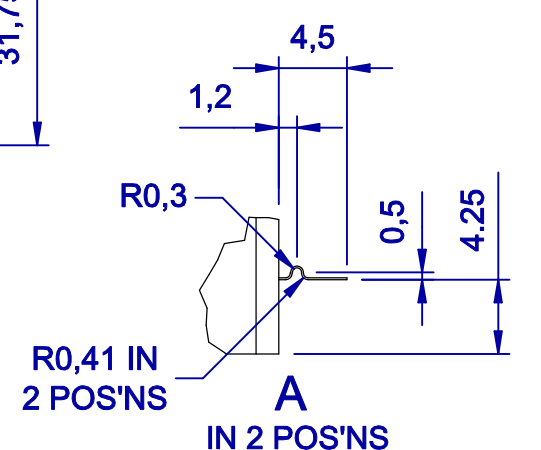
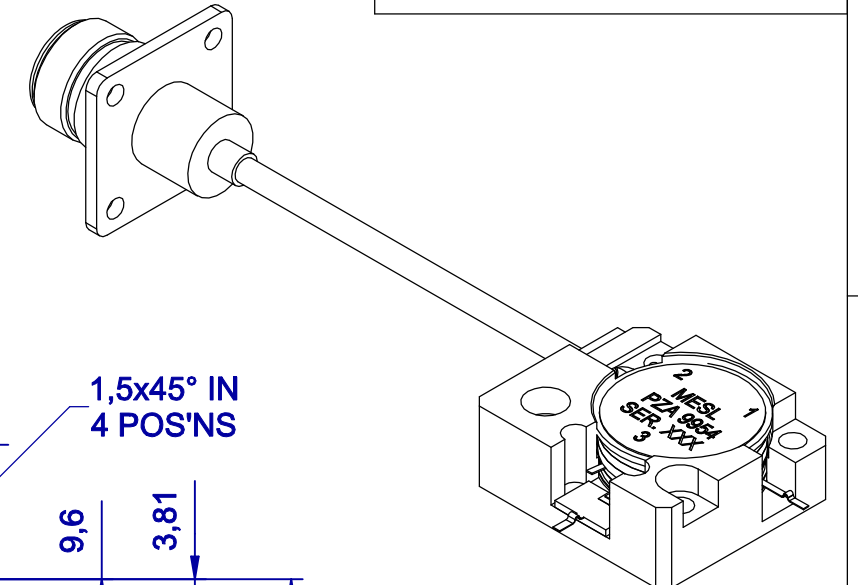
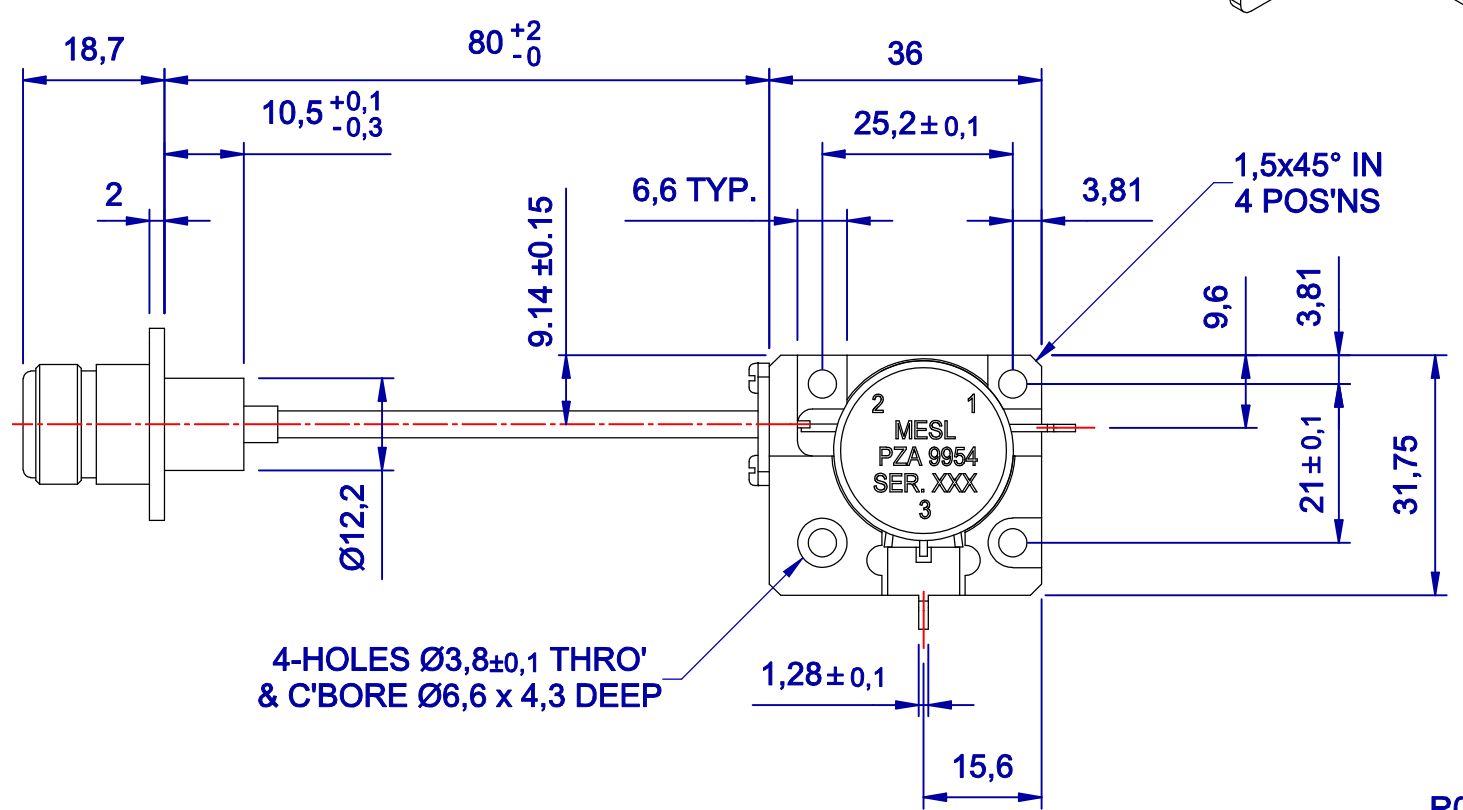
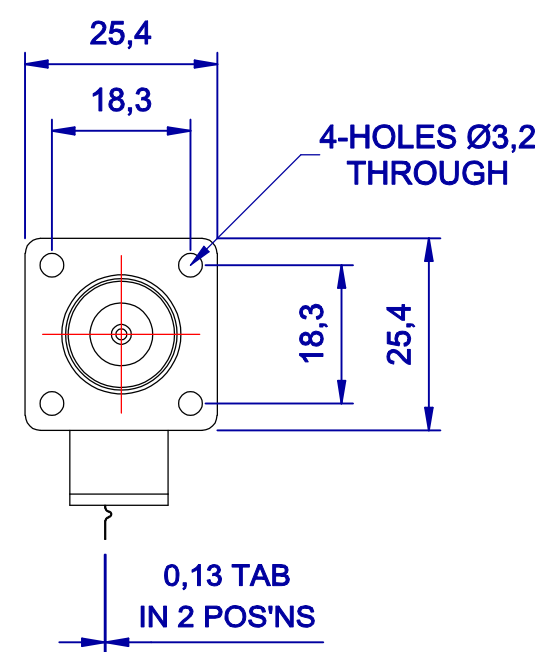


1	2	3	4	5	6	7	8
SERVICE DRAWING NUMBER		3rd ANGLE PROJECTION		THIS DRAWING IS MESL Microwave Ltd. PROPERTY. IT MAY NOT BE COPIED OR EXHIBITED WITHOUT WRITTEN PERMISSION.		MESL Microwave Ltd	
SECURITY CLASSIFICATION		DRAWING TO BE READ IN CONJUNCTION WITH BS 8888					

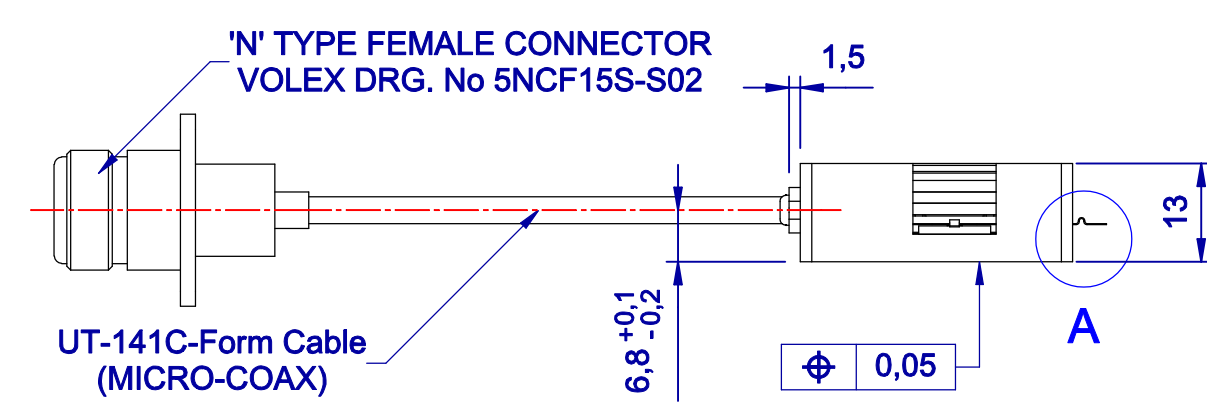


THIS DRAWING IS MESL Microwave Ltd. PROPERTY. IT MAY NOT BE COPIED OR EXHIBITED WITHOUT WRITTEN PERMISSION.

MESL Microwave Ltd



ELECTRICAL SPECIFICATIONS :
 FREQUENCY RANGE: 869 - 894 MHz.
 INSERTION LOSS: 0.3dB Max @ -10°C~ 60°C
 0.3dB Max @ -40°C~ -10°C & 60°C~100°C
 ISOLATION: 21dB Min @ -10°C~60°C
 21dB Min @ -40°C~ -10°C & 60°C~100°C
 RETURN LOSS: 21dB Min (Attenuator 16.5 Min)
 I.M.D: -75dBc @ ambient & -75dBc @ over temp.
 2*60W spacing.
 2M or 5M anywhere in the band.
 FORWARD POWER: 150 Watts.
 REVERSE POWER: 120 Watts (Duration 1 Min)
 ATTENUATION: 30±1dB.



4	19.11.07	9954-ECN-11010
3	28/5/07	9954-ECN-10910
2	14/5/07	9954-ECN-10896
1	16.04.07	GREEN
D	12.04.07	DRN 9954

Q.A.	DATE
PROD.REL.	DATE
ENG.APP.	DATE
J.G.	16/04/2007
MECH. ENG.	DATE
DRAWN	DATE
AB.	26/2/07

LIGHTLY REMOVE ALL BURRS AND SHARP EDGES U.O.S.

ORIGINAL SCALE	1/1	MATERIAL	SPECIFICATION
DO NOT SCALE PRINT			
DIMENSION IN	mm	FINISH	SPECIFICATION
CERTIFIED AT ISSUE		BODY: BRIGHT NICKEL PLATED	

REF	DESCRIPTION	No OFF	CHAR.	POS.TOL.	ISSUE	DATE	MOD NUMBER
GREEN (FULLY RELEASED)							
GENERAL TOLERANCE UNLESS OTHERWISE STATED		CONTRACTOR		SECURITY CLASSIFICATION			
ISO 2768-fH Symmetry ± 0,05		MESL Microwave Ltd					
FINISH TO BE		RESPONSIBLE AUTHORITY		CONTRACTORS DRAWING NUMBER			
1.6		J. GILLIES		9954-007-OL			
UNLESS OTHERWISE STATED		TITLE		SERVICE DRAWING NUMBER		SHEET	
		869-894 MHz ISO-ATTEN WITH CABLE OUTLINE PZA 9954				No 1 OFF 1	

A
B
C
D
E