

# FLAT PANEL ANTENNA

## FPA13-22VH/1449



### ELECTRICAL

FREQUENCY:	2.1 - 2.3 GHz
GAIN:	14 dBi Typ.
POLARISATION:	Linear (Vertical & Horizontal)
BEAMWIDTH:	30° (Az) x 30° (El)
CROSS POLAR:	25 dB Min.
VSWR:	1.43:1 Max.
POWER RATING:	50 W
ISOLATION:	>30 dB Band edges, 50 dB band ctr.

### MECHANICAL

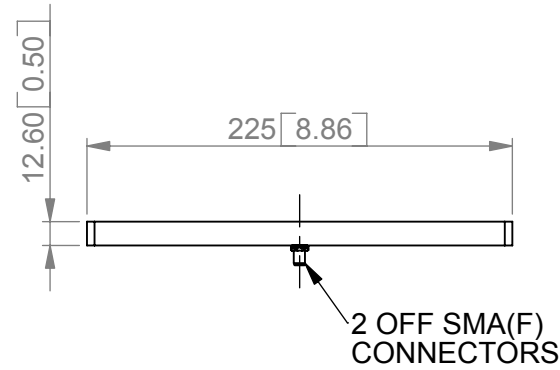
STANDARD FINISH:	Matt Black
MASS:	630 g / 1.38 lbs
TEMPERATURE:	-40° to +60°C
WIND LOADING:	7.99 g / 17.59 lbs @ 100 mph

### MOUNTING OPTIONS

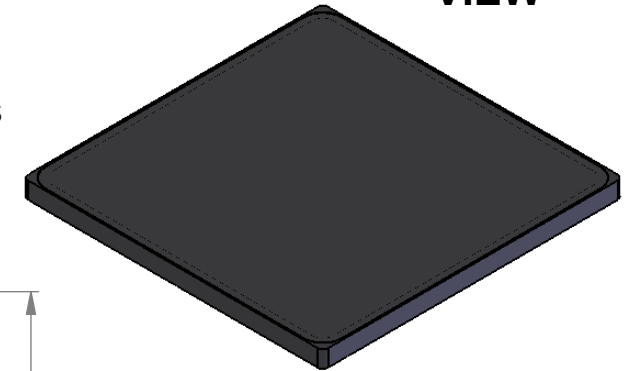
KITS AVAILABLE: N/A  
See Separate Data Sheets

GA: 1449-1 Issued: 190607  
DIMENSIONS: mm [inches]

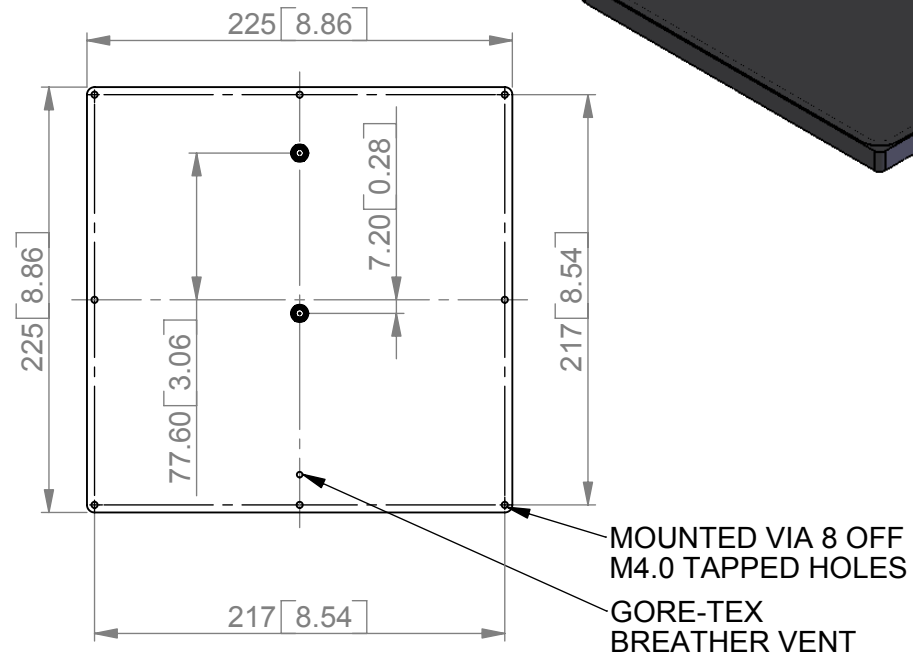
**SIDE VIEW**



**ISOMETRIC VIEW**



**BASE VIEW**



FPA13-22VH/1449

European Antennas Ltd. has a policy of continuous development and therefore stress that the data contained on this sheet should be used for guidance only.

European Antennas Ltd. is part of the Cobham Antennas Division



Certificate No 9268

European Antennas Ltd  
Lambda House, Cheveley  
Newmarket, Suffolk, CB8 9RG, UK  
Tel: +44 (0)1638 731888  
sales@european-antennas.co.uk  
[www.european-antennas.co.uk](http://www.european-antennas.co.uk)