

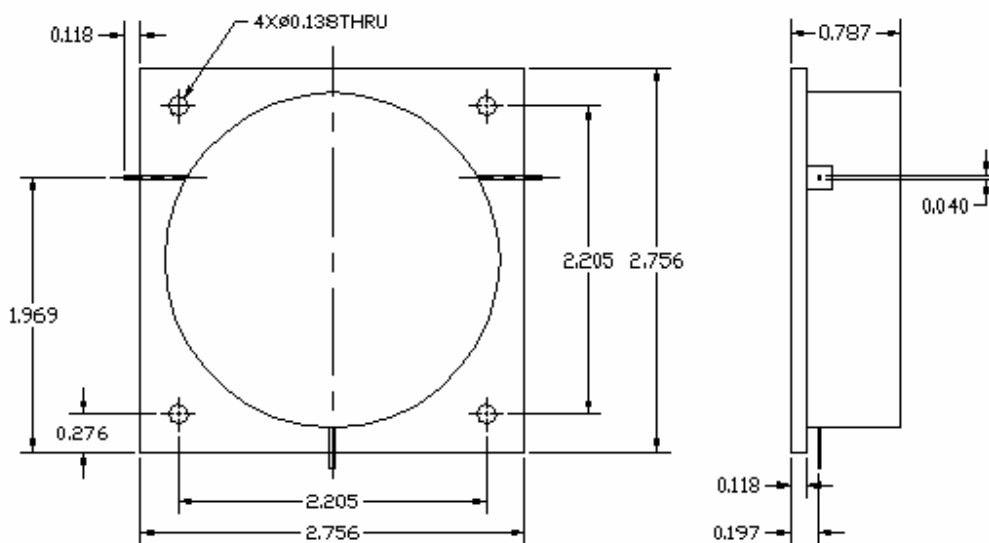
Key Features:

- Frequency range: 300~500MHz, up to 5% bandwidth
- Drop-in configuration
- Small size, low cost
- Power handling up to 350 Watts
- Operating temperature -20~+65°C
- Customer specify center frequency and bandwidth

Electrical Specifications

Part No.	Freq Range MHz	Insertion Loss, dB	Reverse Isolation, dB	VSWR	Forward Power, Watts	Temp. Range, °C
F1520-0342-03	337-347	0.5 Max	≥ 20	≤ 1.3	≥ 350	-20 ~ +65
F1520-0350-03	345-355	0.5 Max	≥ 20	≤ 1.3	≥ 350	-20 ~ +65

Mechanical Structure:



Note: All units in inches.

Ordering Information:

