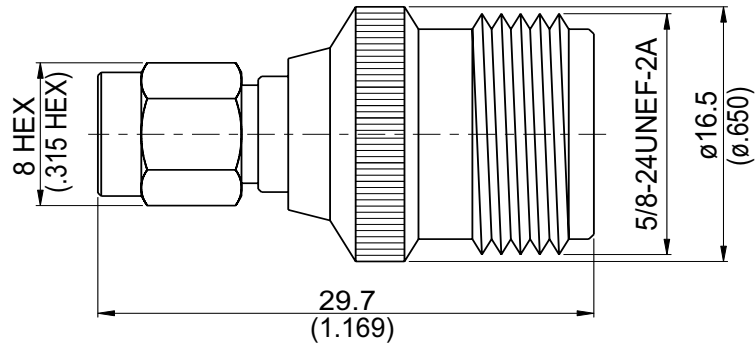


AD-A6N8

SMA Reverse Polarity Plug To N Jack 50Ω



Typical VSWR

Part Number	1Ghz	2Ghz	3Ghz	4Ghz	5Ghz
AD-A6N8	1.02	1.05	1.08	1.19	1.27

Parts	Material	Plating (Micro-inch)
Renber Ring	Beryllium Copper	Tin-Zinc-Copper-Alloy 100 Over Copper 50
Gasket	Silicon	
Body(N)	Brass	Tin-Zinc-Copper-Alloy 100 Over Copper 50
Center Pin	Beryllium Copper	Gold 10 Over Nickel 50 Over Copper 50
Insulator	Teflon	
Body(SMA)	Brass	Gold 5 Over Nickel 50 Over Copper 50
Coupling Nut(SMA)	Brass	Gold 5 Over Nickel 50 Over Copper 50

Weight: 21.98 g

This part number complies with RoHS.

Notice: JYEBAO reserves the right to make modifications deemed appropriate.